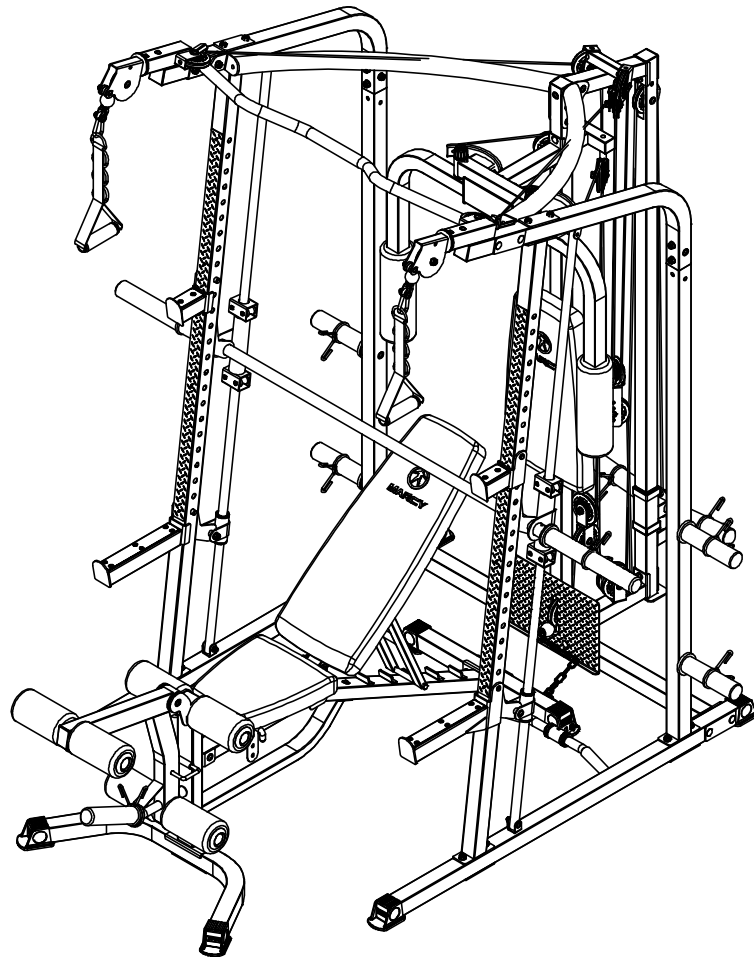


# MARCY<sup>®</sup>

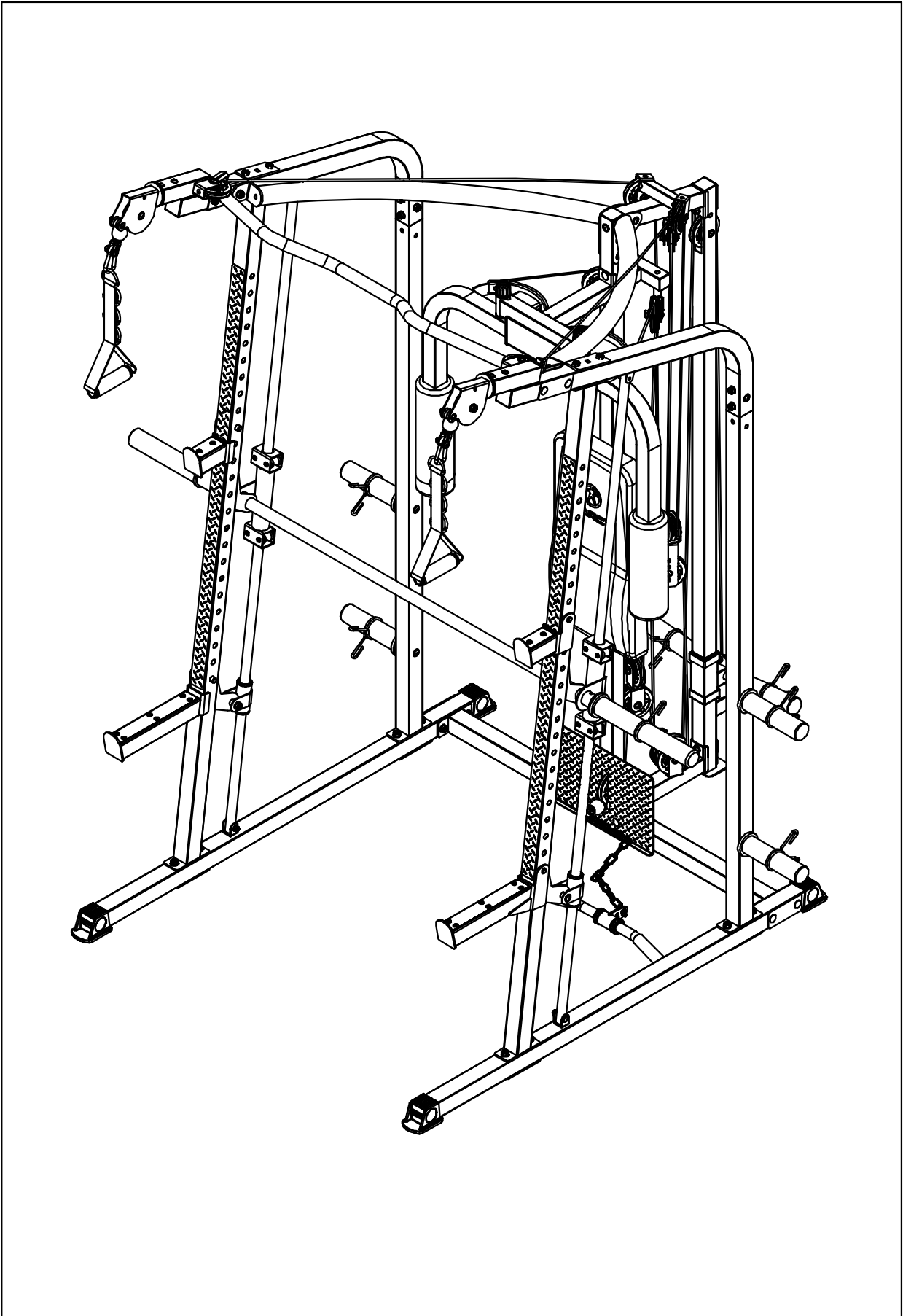
## DELUXE SMITH MACHINE MD-7492

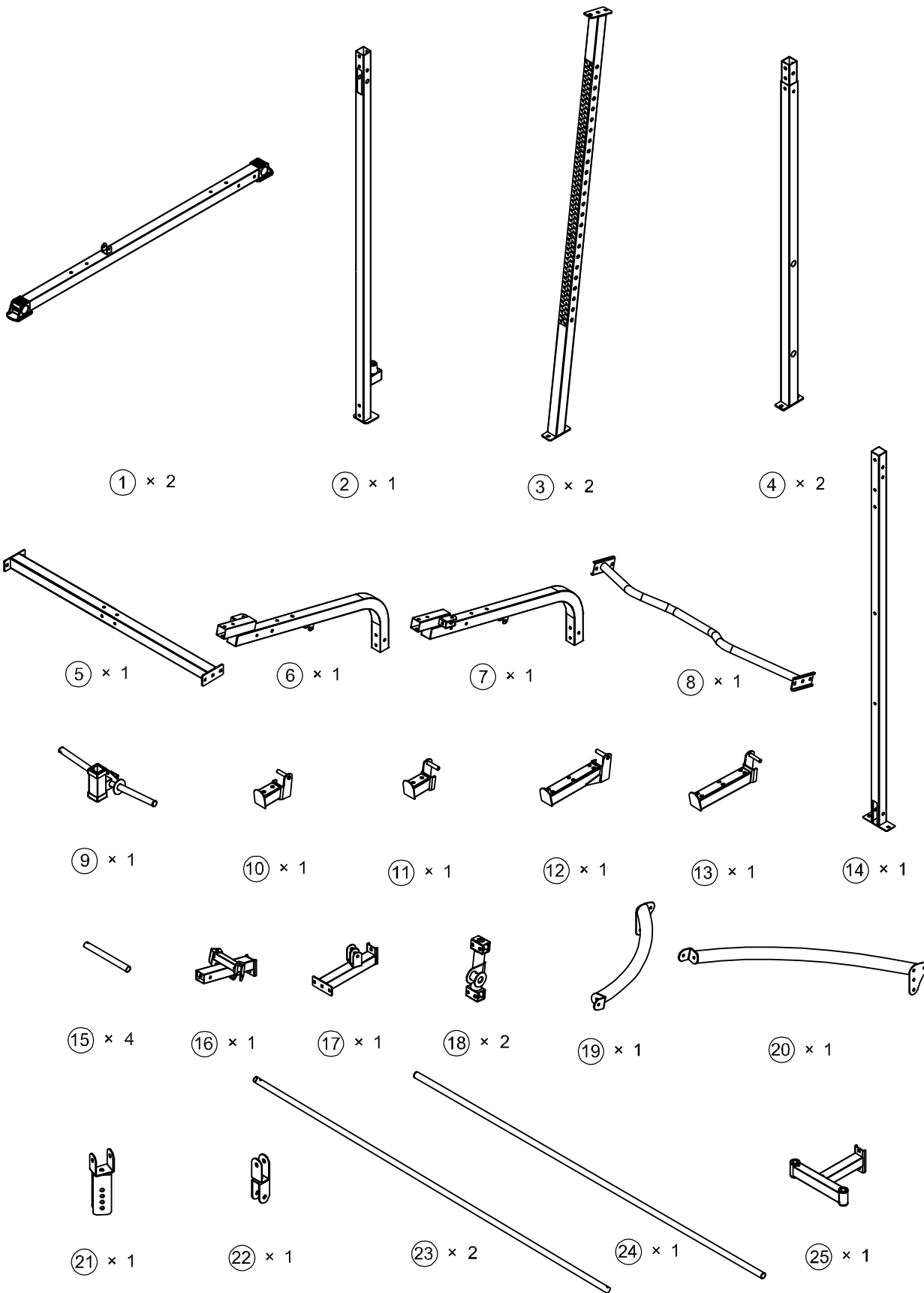


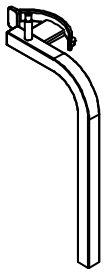
**IMPORTANT:** Please read the Important Safety Notice and Assembly Information in the Owner's manual before assembling this product.

**Assembly Manual**

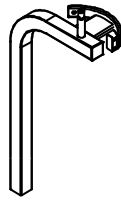
220414







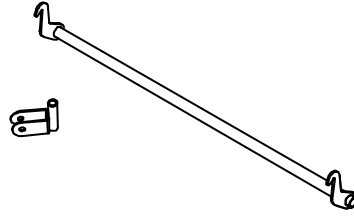
26 x 1



27 x 1



28 x 1

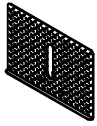


29 x 2

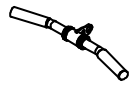
30 x 1



31 x 2



32 x 1



33 34 x 1



35 x 2



36 x 1



37 x 1



38 x 10



39 x 2



40 x 2



43 x 1



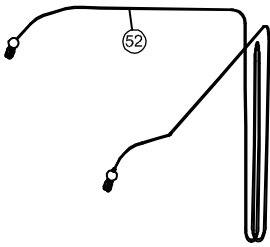
47 x 2



50 x 3



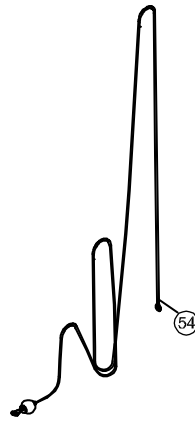
51 x 15



52 x 1



53 x 1



54 x 1



55 x 2



56 x 1



57 x 2



58 x 2



62 x 6



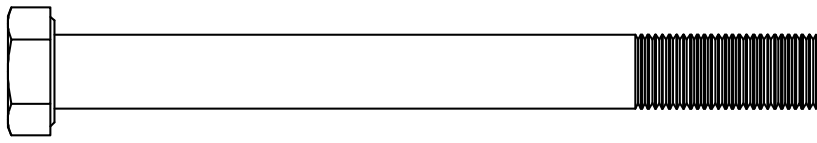
63 x 2



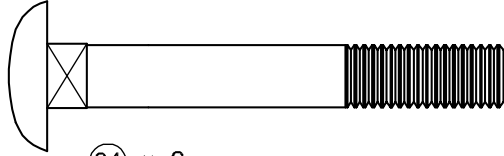
67 x 2



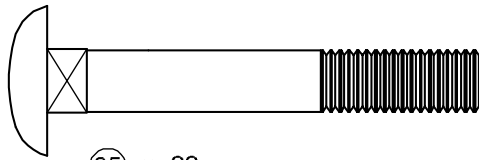
78 x 8



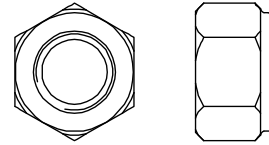
87 × 2



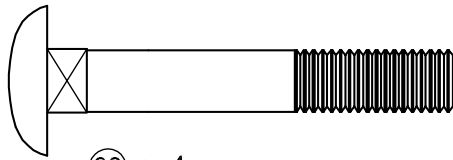
84 × 2



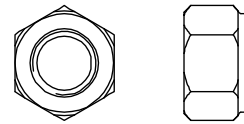
85 × 22



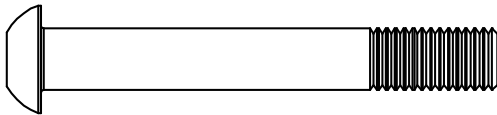
100 × 2



86 × 4



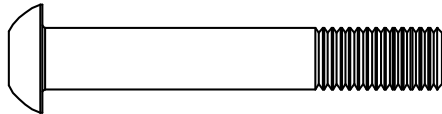
101 × 59



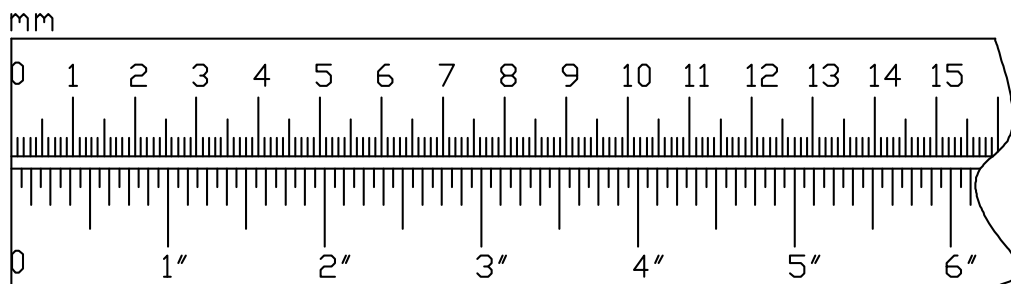
88 × 2

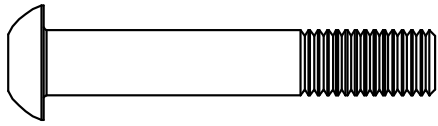


102 × 6

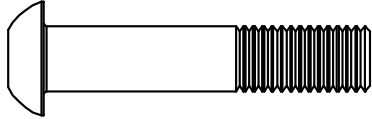


89 × 14

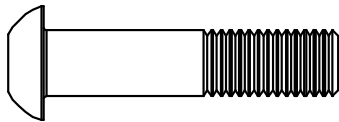




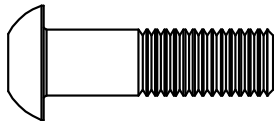
90 × 2



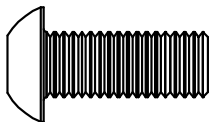
91 × 2



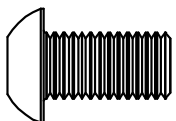
92 × 10



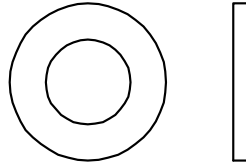
93 × 3



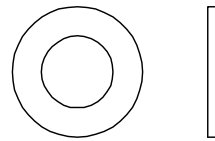
94 × 1



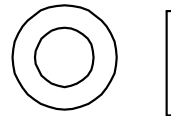
95 × 6



103 × 4

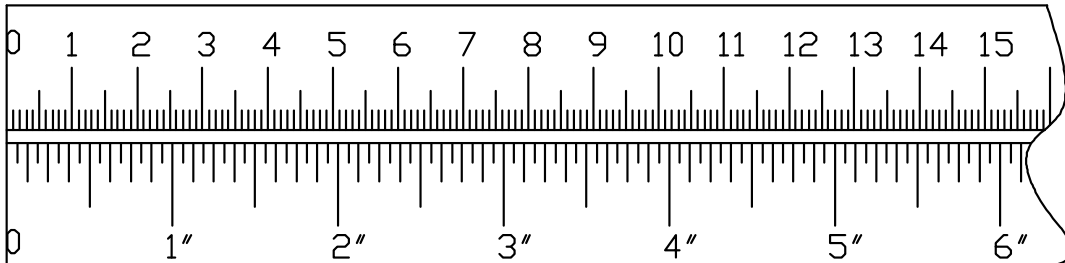


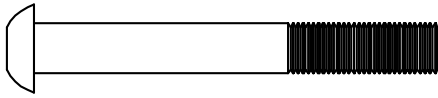
104 × 99



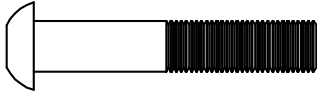
105 × 22

mm

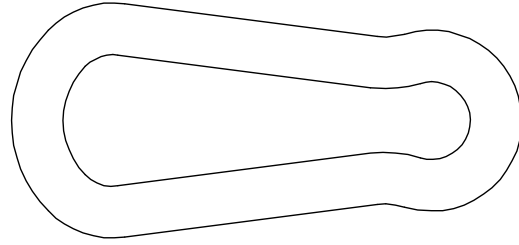




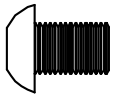
96 × 2



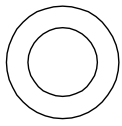
98 × 6



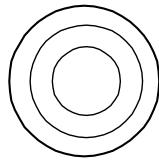
77 × 4



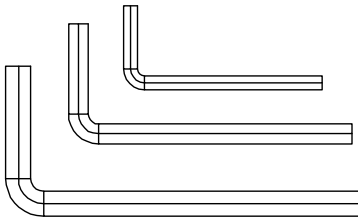
99 × 8



59 × 2



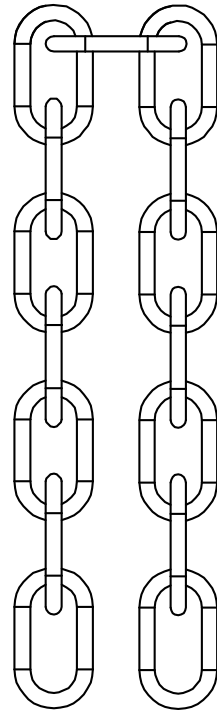
68 × 4



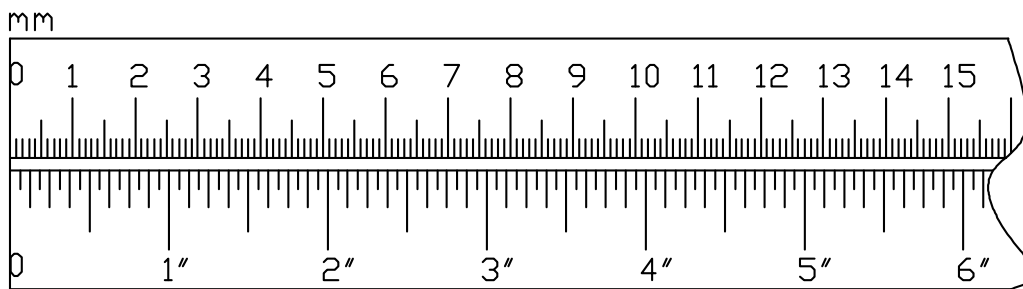
4#×1

5#×1

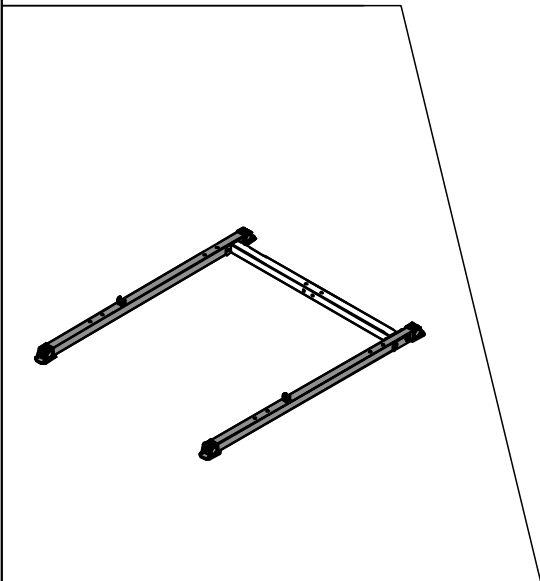
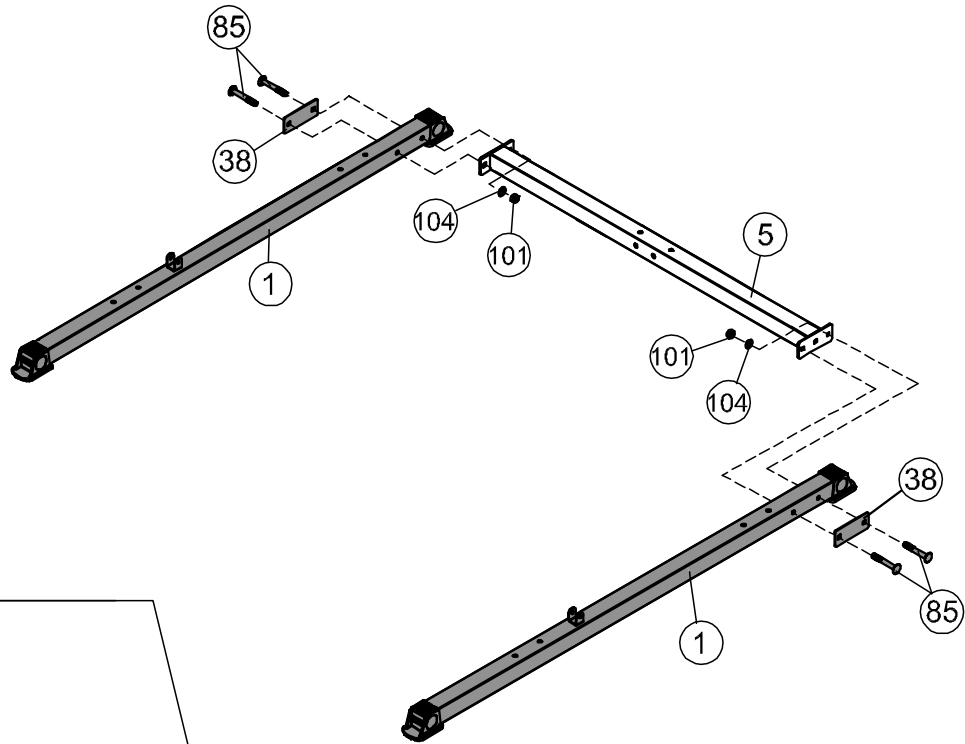
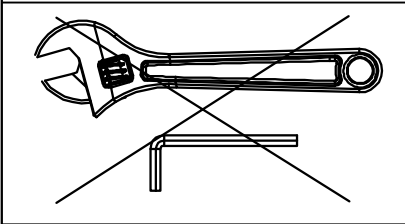
6#×2



76 × 1

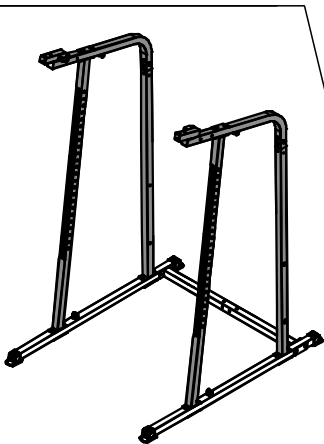
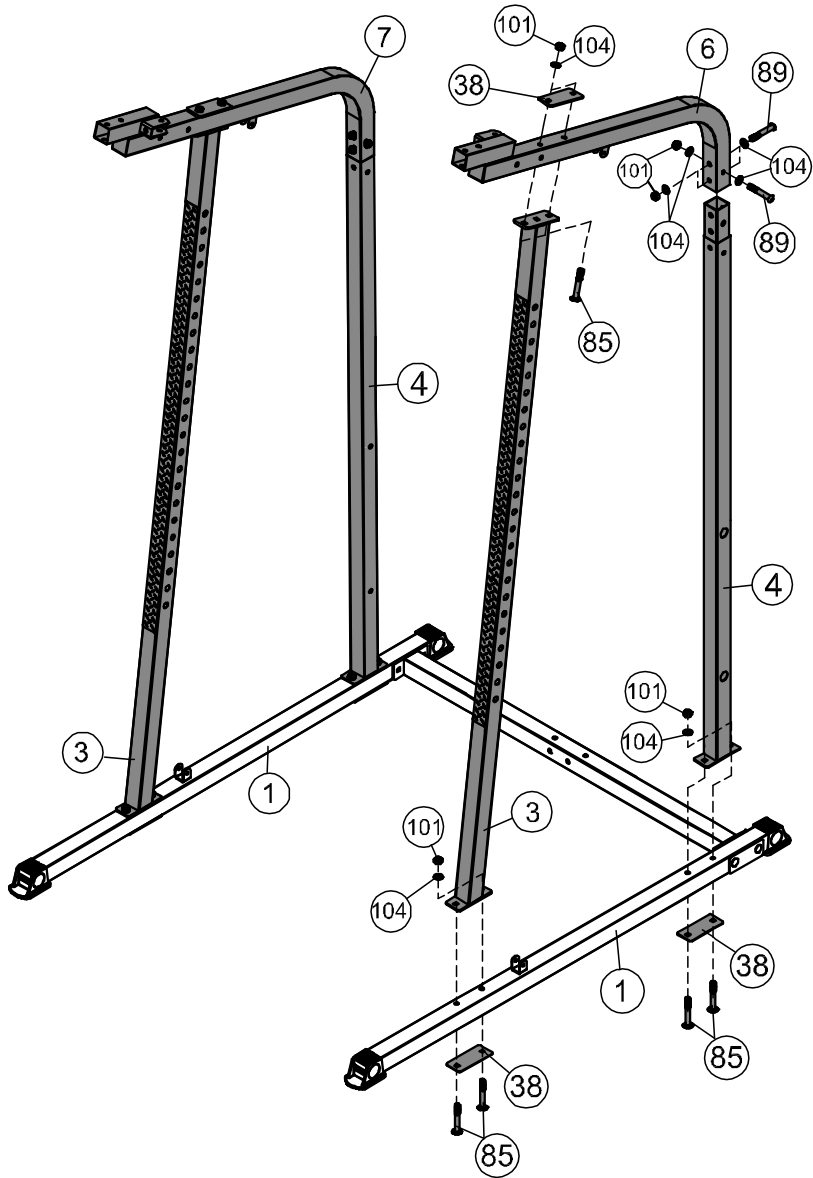
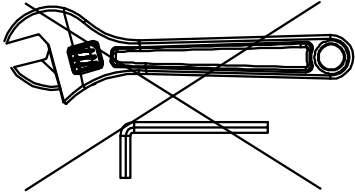


85		x 4	M10x2 <sup>3</sup> / <sub>4</sub> "
104		x 4	Φ <sup>3</sup> / <sub>4</sub> "
101		x 4	M10





85		x 12	M10x2 <sup>3</sup> / <sub>4</sub> "
89		x 6	M10x2 <sup>1</sup> / <sub>2</sub> "
104		x 24	Φ <sup>3</sup> / <sub>4</sub> "
101		x 18	M10

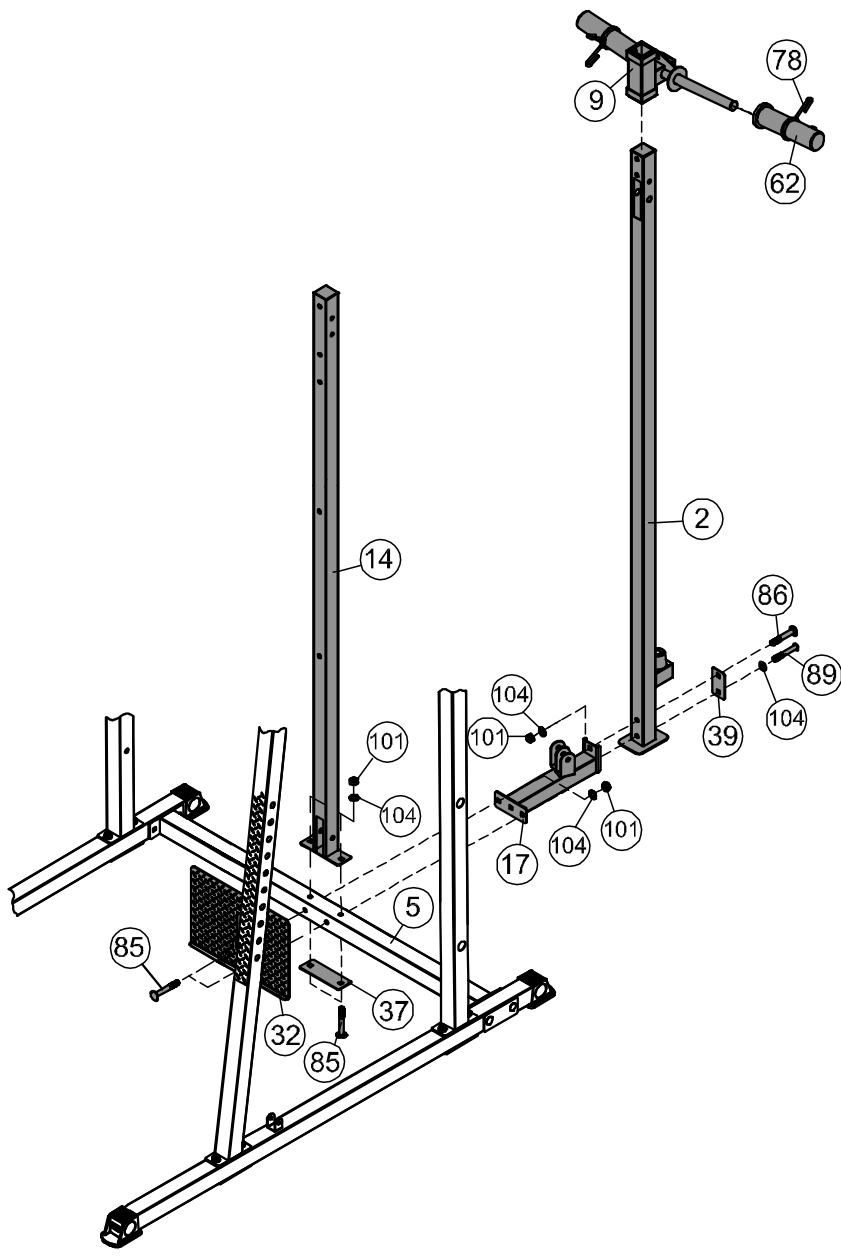
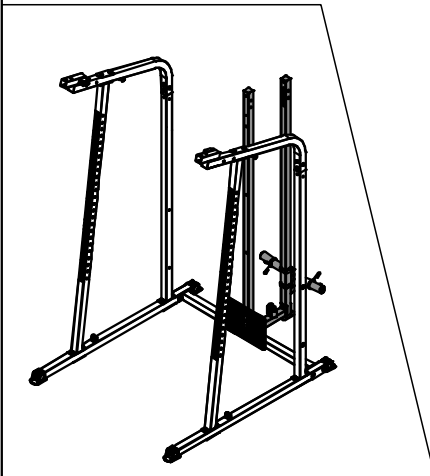
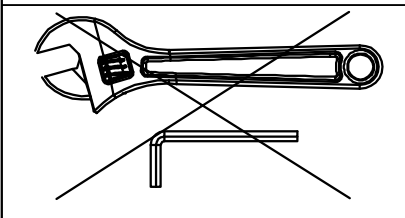


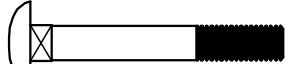
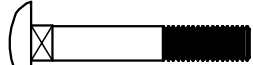




85  × 4 M10×2<sup>3</sup>/<sub>4</sub>"

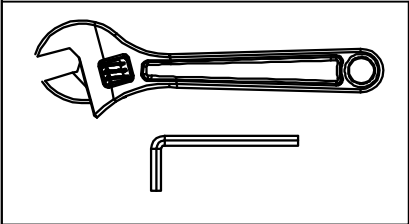
86  × 1 M10×2<sup>1</sup>/<sub>2</sub>"

89  × 1 M10×2<sup>1</sup>/<sub>2</sub>"

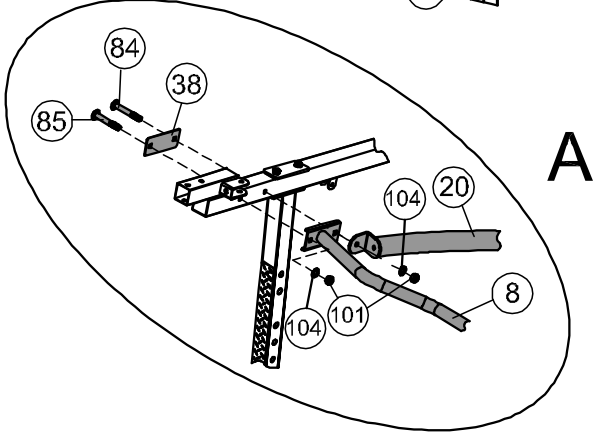
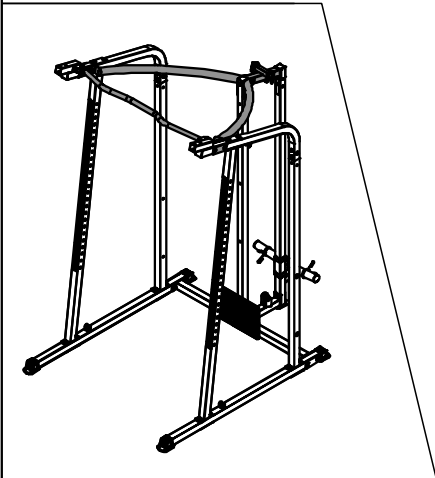
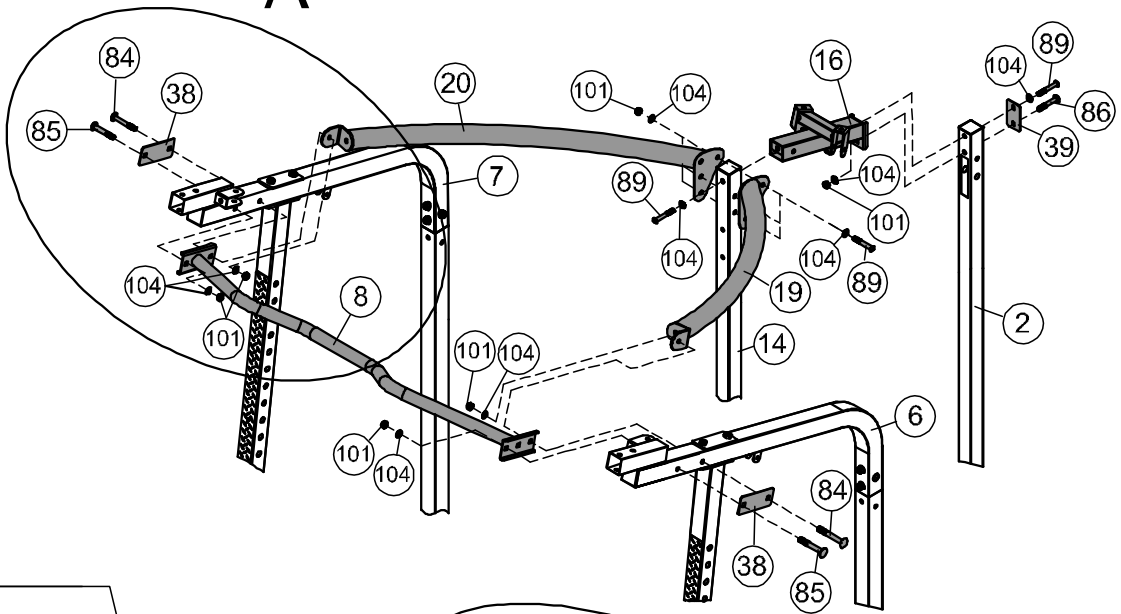
104   × 6  $\Phi$ <sup>3</sup>/<sub>4</sub>" 101   × 5 M10



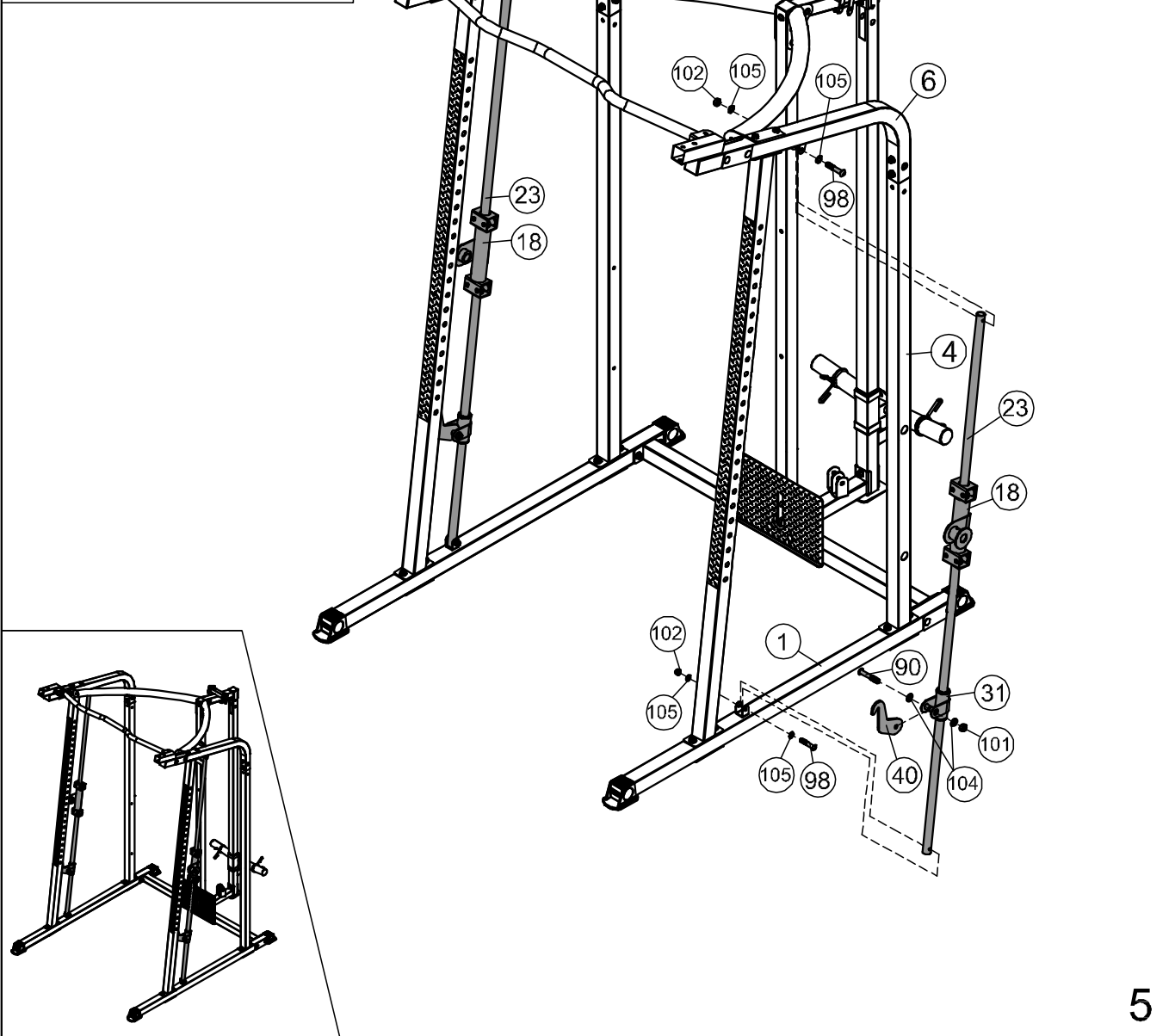
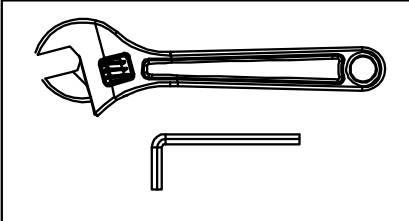
84		× 2	M10×3"				
85		× 2	M10×2 <sup>3</sup> / <sub>4</sub> "				
86		× 1	M10×2 <sup>1</sup> / <sub>2</sub> "				
89		× 5	M10×2 <sup>1</sup> / <sub>2</sub> "				
104	 	× 13	Φ <sup>3</sup> / <sub>4</sub> "	101	 	× 8	M10



A



- |     |   |     |                       |     |   |
|-----|---|-----|-----------------------|-----|---|
| 90  |  | x 2 | M10x2 $\frac{3}{8}$ " |     |   |
| 98  |  | x 4 | M8x1 $\frac{3}{4}$ "  |     |   |
| 104 |  | x 4 | $\Phi\frac{3}{4}$ "   | 102 |  x 4 M8  |
| 105 |  | x 8 | $\Phi\frac{5}{8}$ "   | 101 |  x 2 M10 |



95



x

4

M10x3/4"

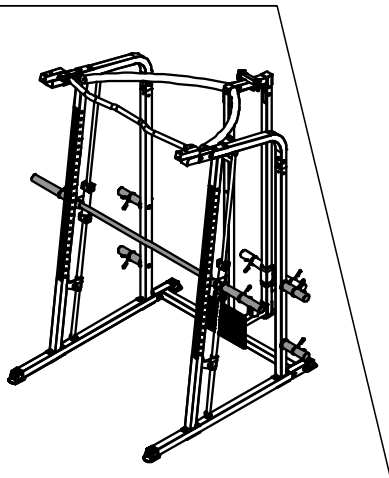
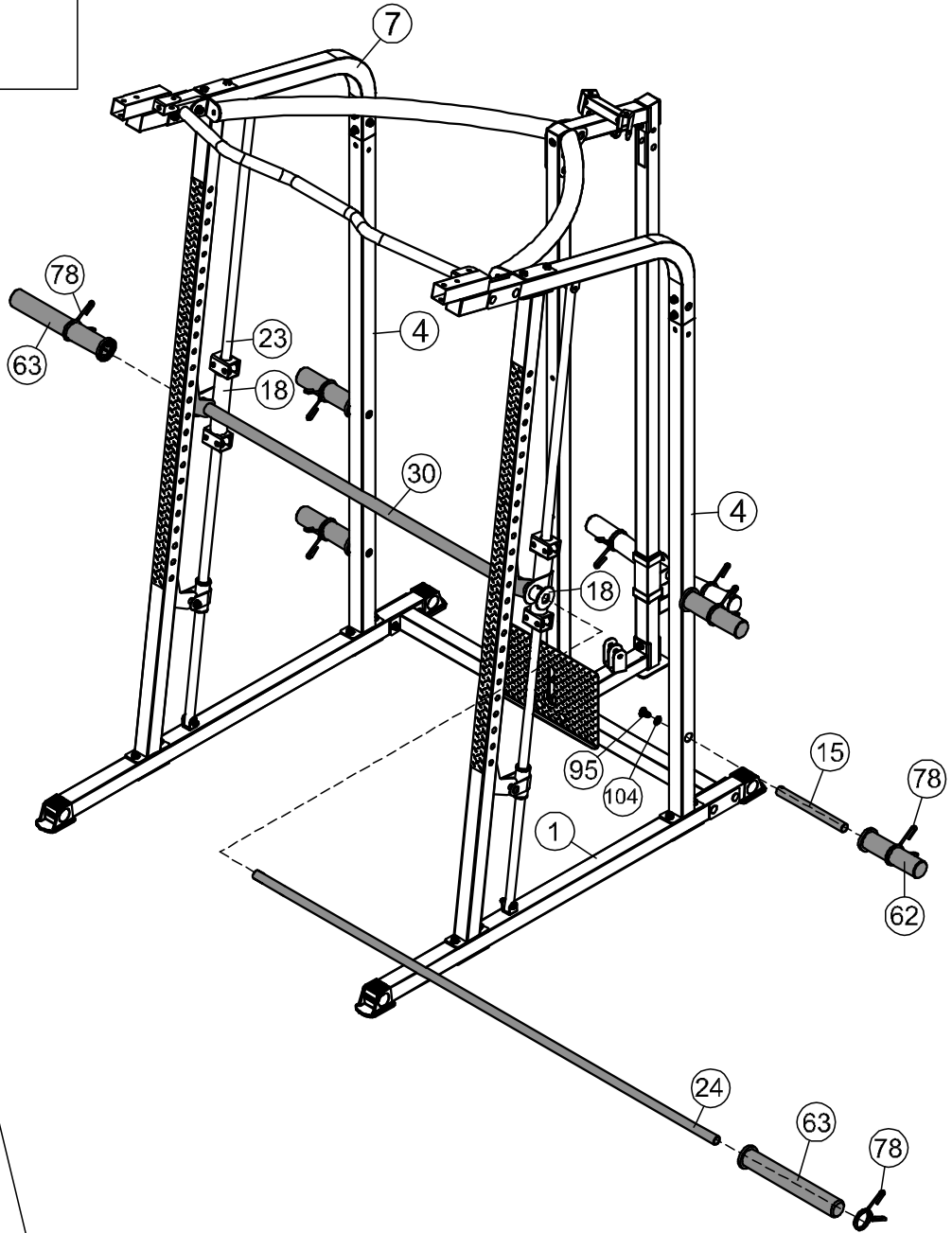
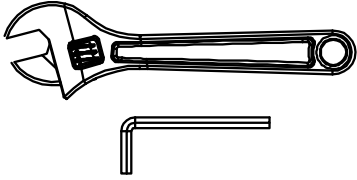
104

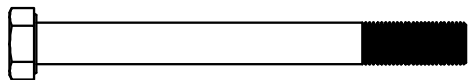









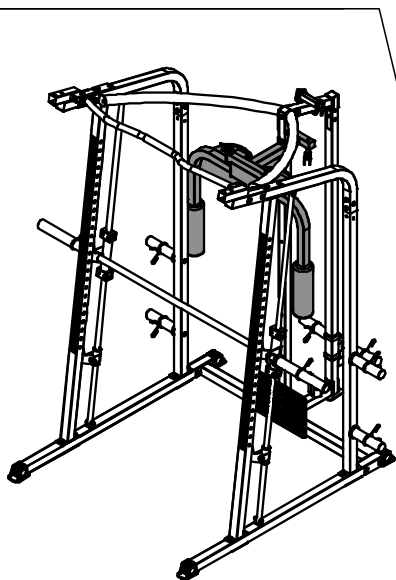
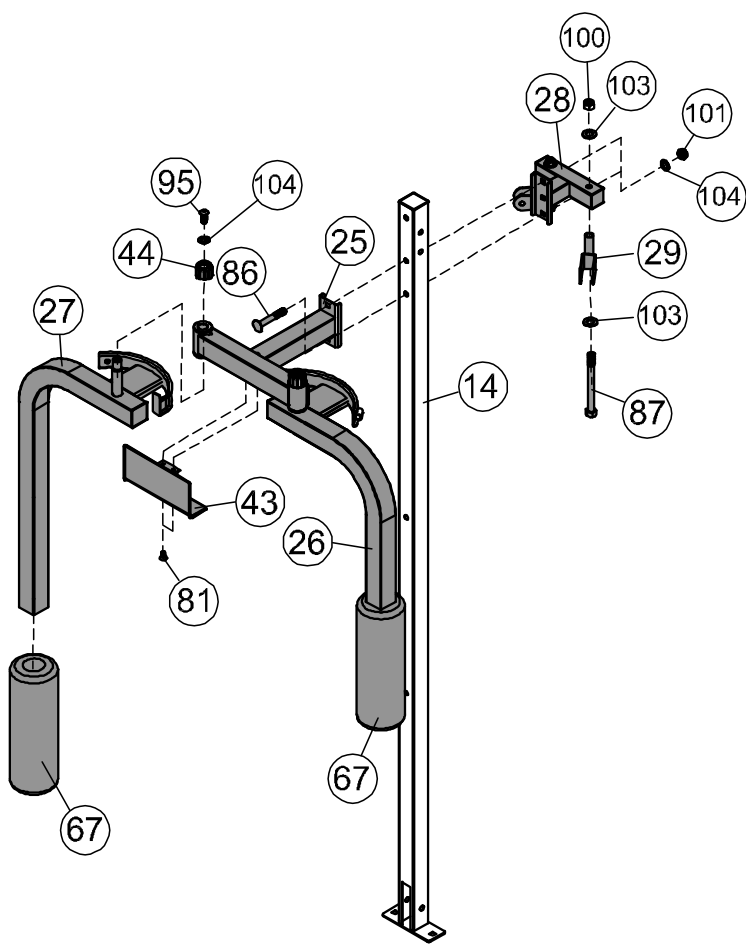
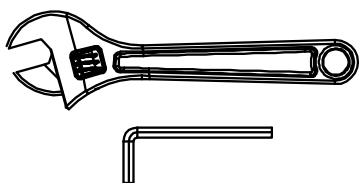
x

8

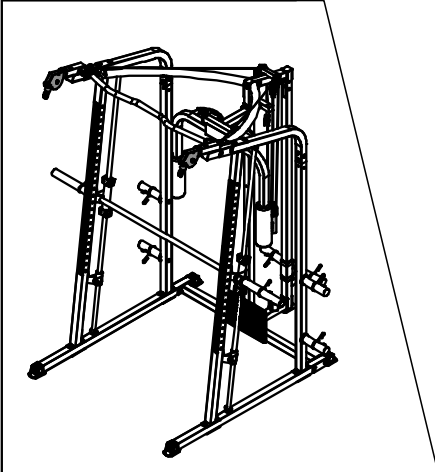
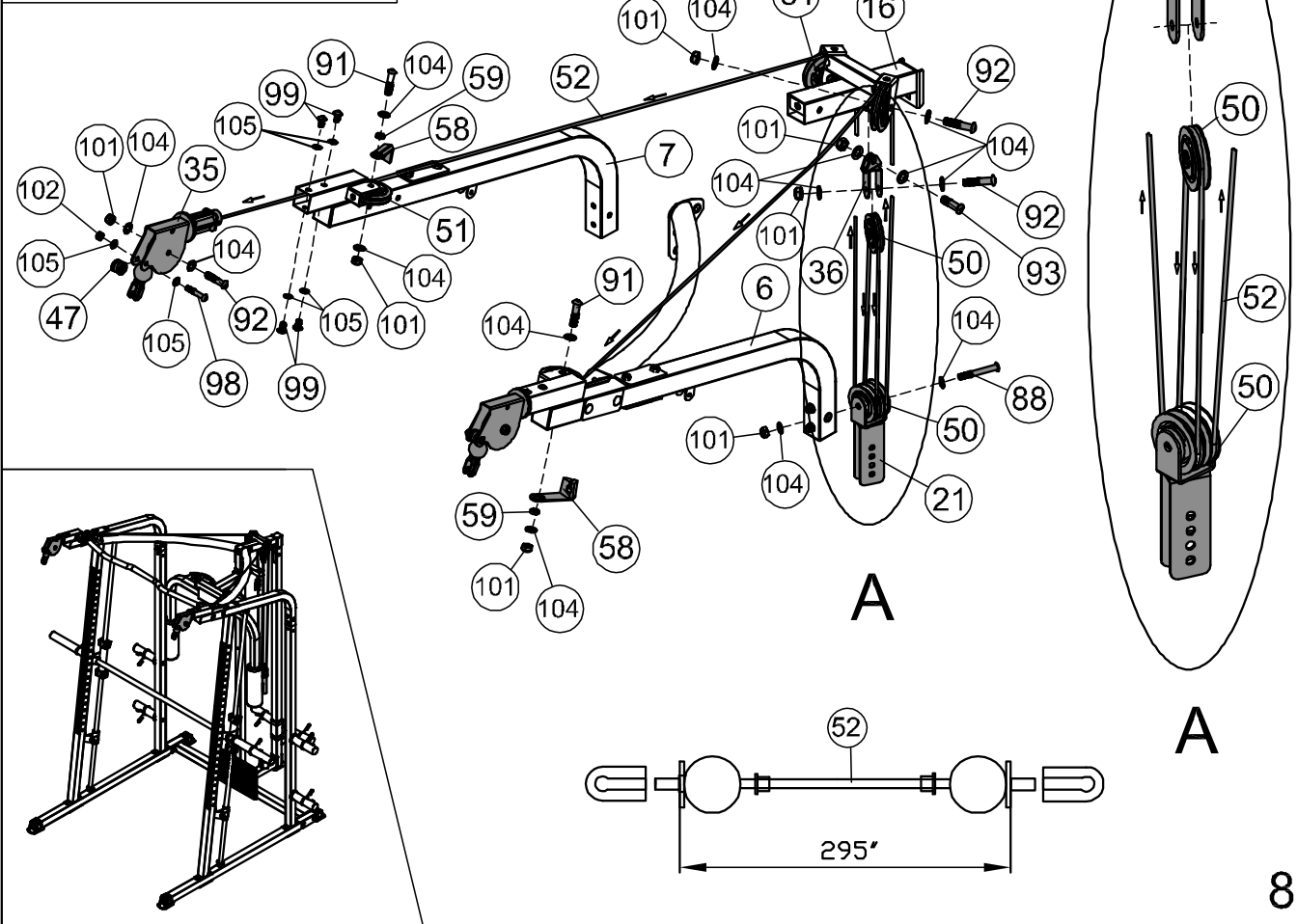
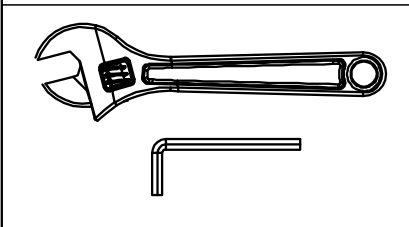
Φ3/4"






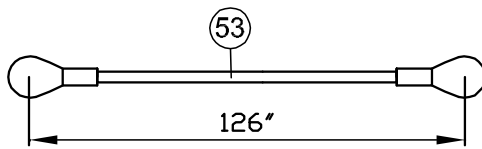
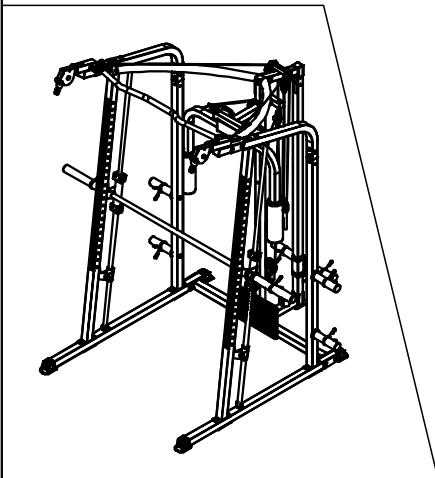
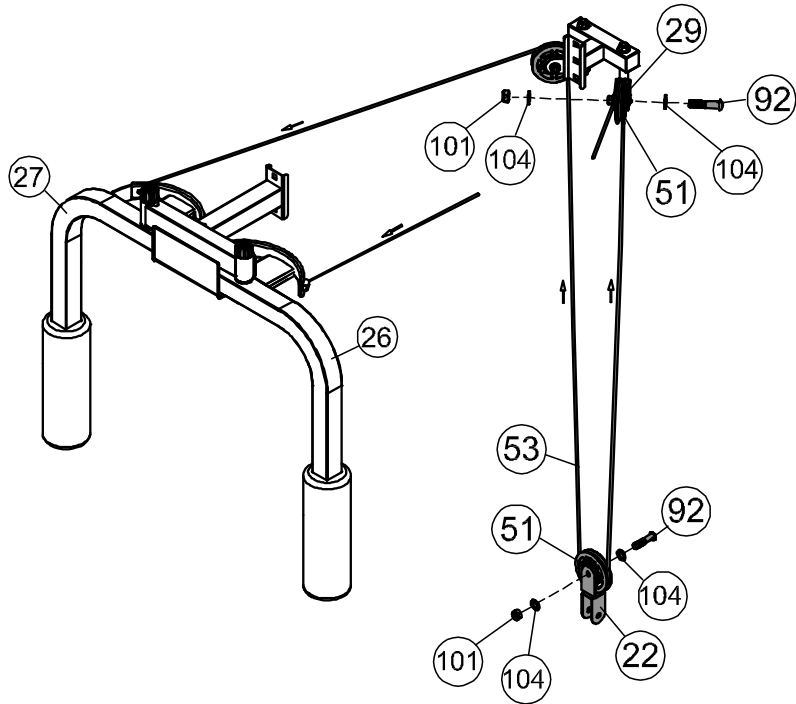
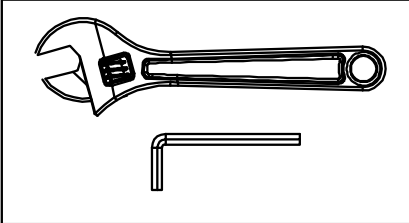
- |     |   |     |         |     |   |
|-----|---|-----|---------|-----|---|
| 87  |  | × 2 | M12×5"  |     |   |
| 86  |  | × 2 | M10×2½" |     |   |
| 95  |  | × 2 | M10×¾"  |     |   |
| 81  |  | × 2 | M6×⅝"   |     |   |
| 103 |  | × 4 | Φ1"     | 100 |  × 2 M12 |
| 104 |  | × 4 | Φ¾"     | 101 |  × 2 M10 |



88		x 1	M10x3"
91		x 2	M10x2"
92		x 5	M10x1 3/4"
98		x 2	M8x1 3/4"
93		x 1	M10xΦ1 3/8"
105		x 12	Φ5/8"
99		x 8	M8x3/8"
102		x 2	M8
104		x 18	Φ3/4"
101		x 9	M10

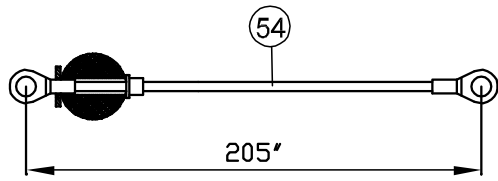
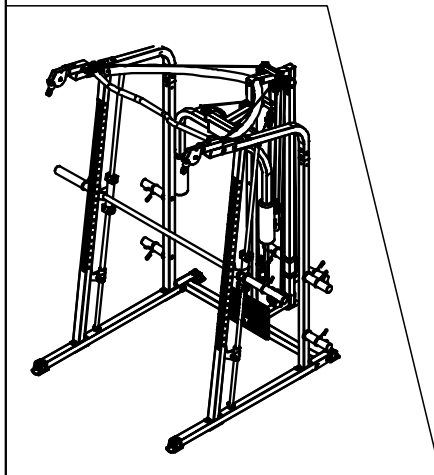
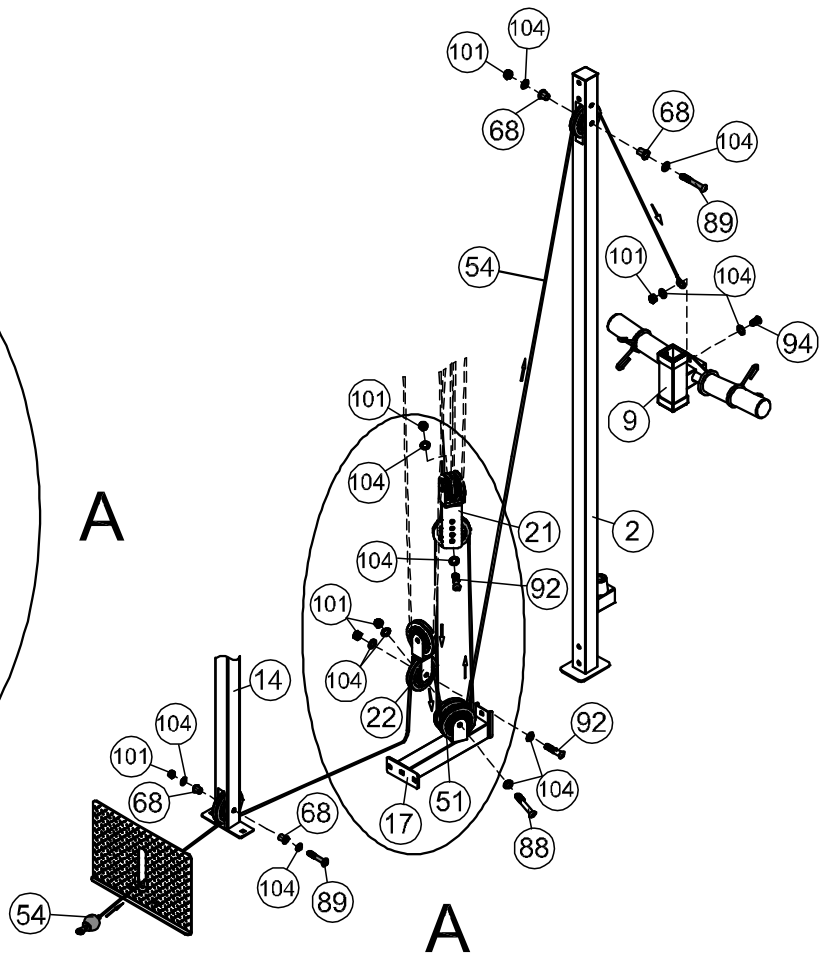
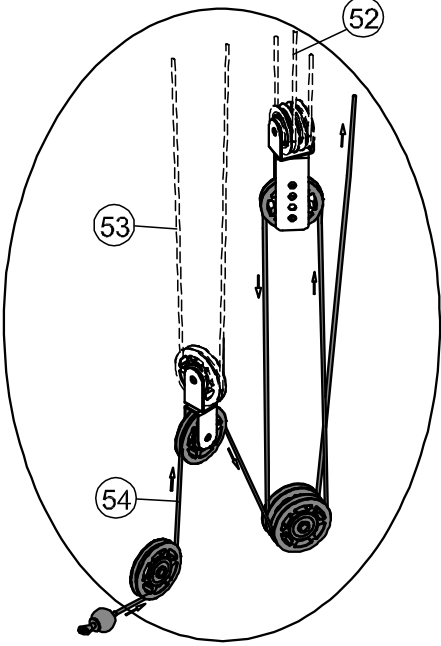
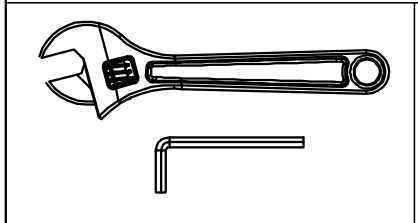


(92)		× 3	M10×1 $\frac{3}{4}$ "
(101)		× 3	M10
(104)		× 6	Φ $\frac{3}{4}$ "

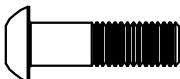








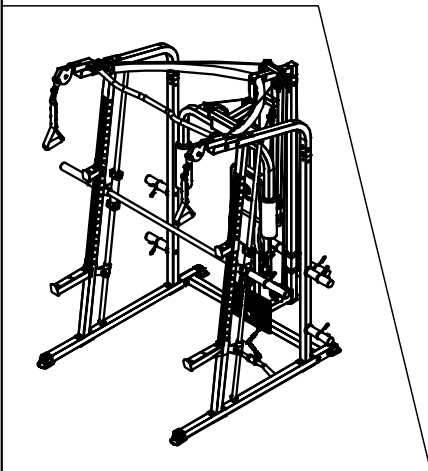
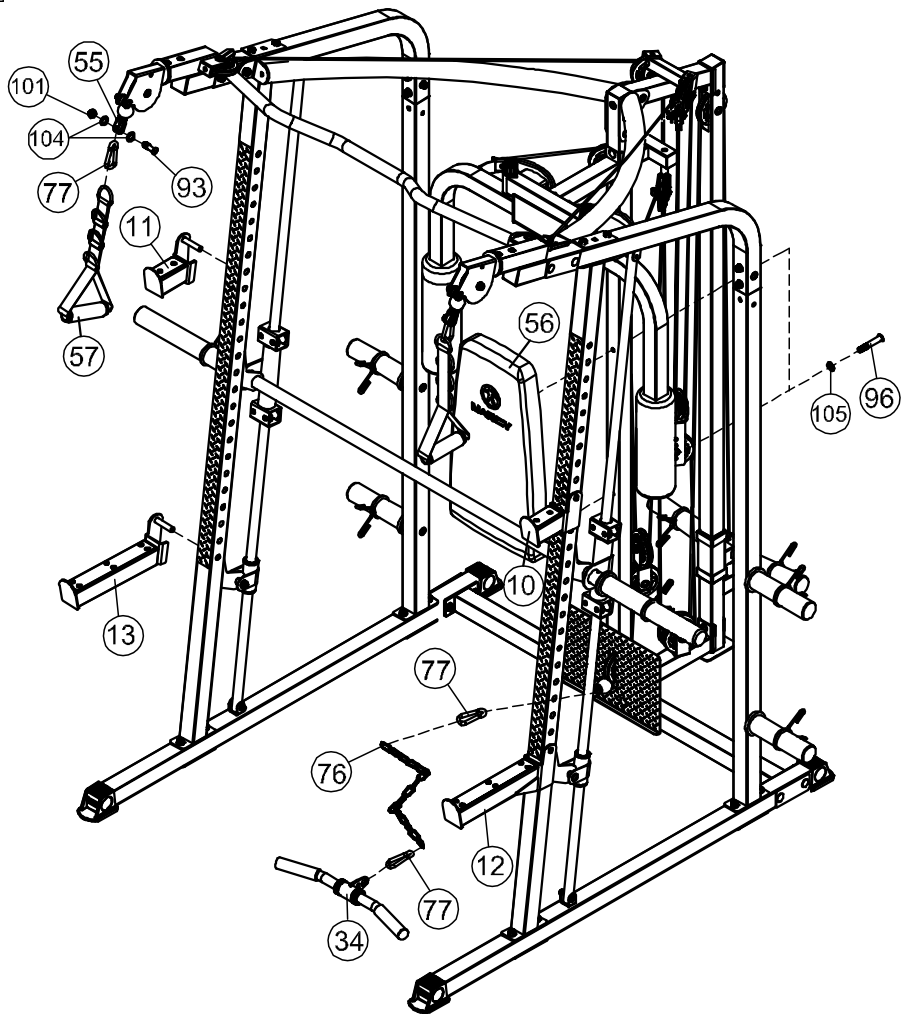
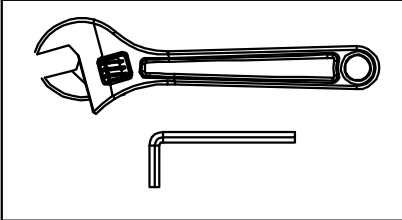
(88)		× 1	M10×3"
(89)		× 2	M10×2½"
(92)		× 2	M10×1¾"
(94)		× 1	M10×1"
(104)	   	× 12	Φ¾"
(101)	 	× 6	M10

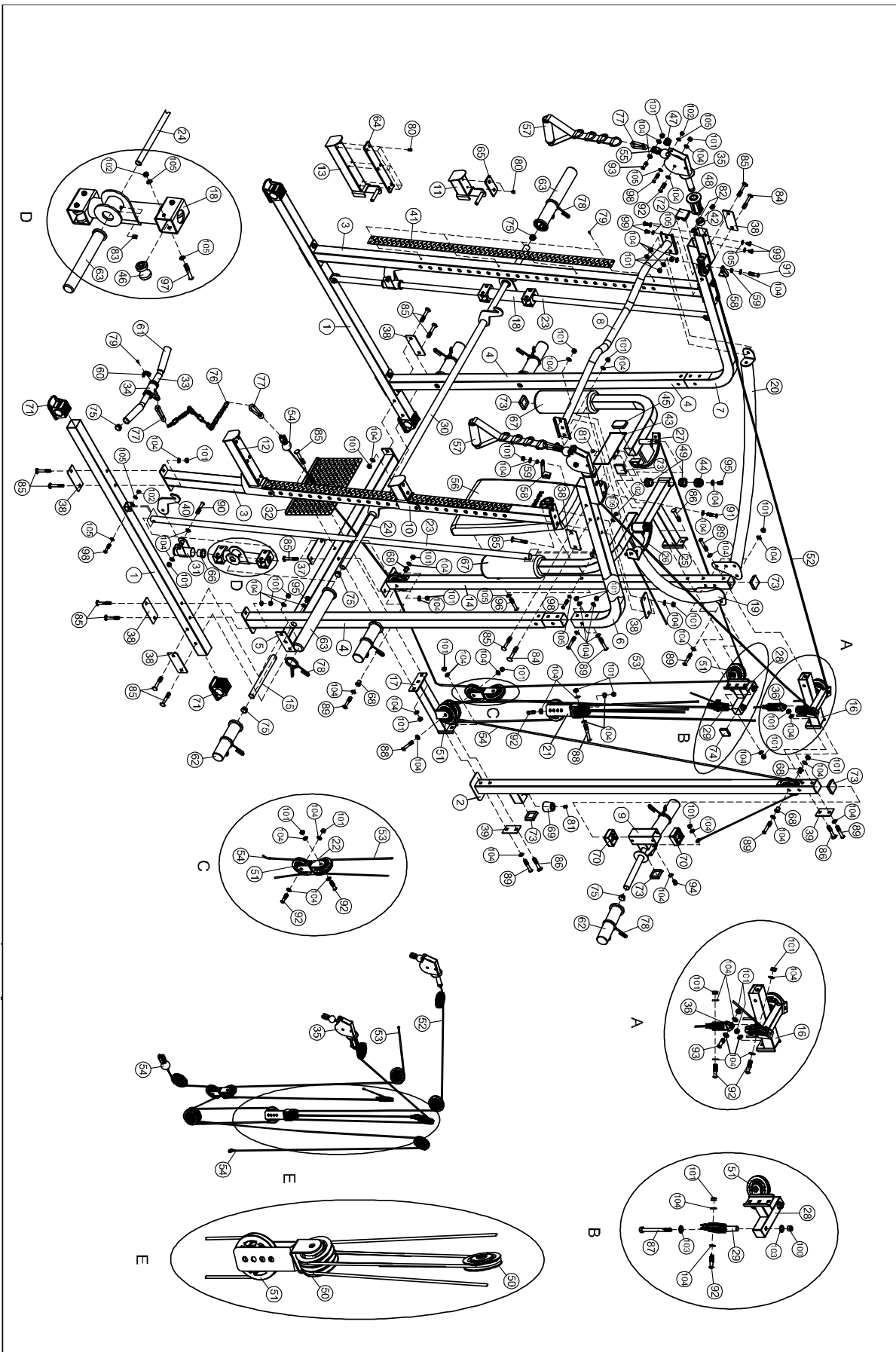


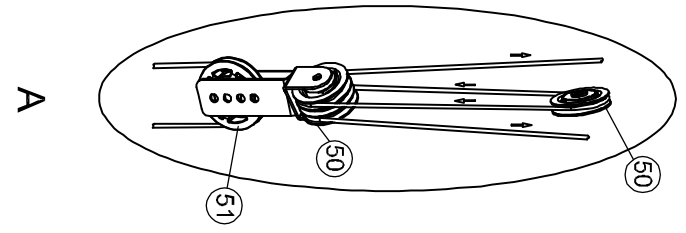
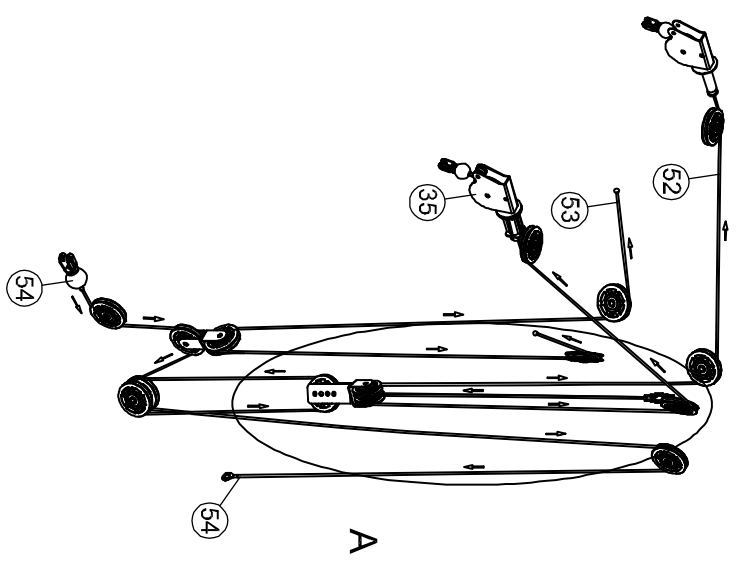
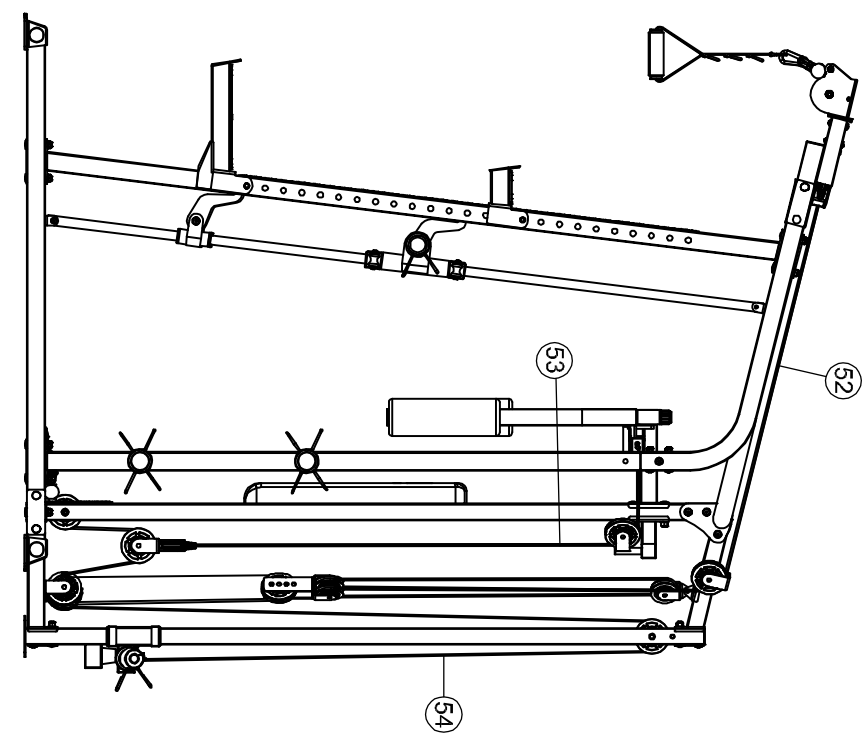
96  × 2 M8×2<sup>1</sup>/<sub>2</sub>"

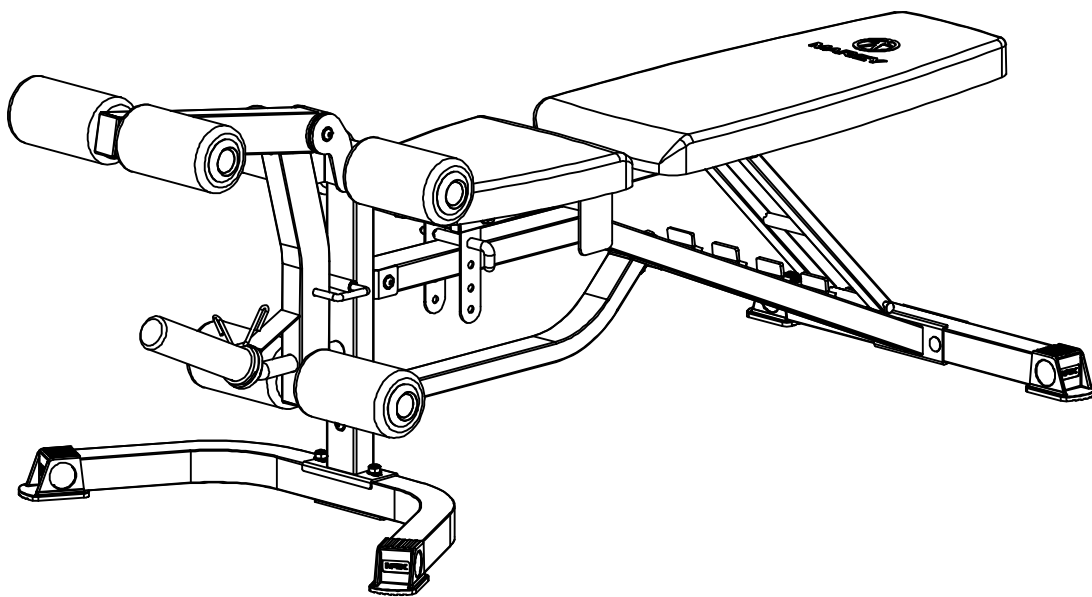
93  × 2 M10×Φ1<sup>3</sup>/<sub>8</sub>" 105  | × 2 Φ<sup>5</sup>/<sub>8</sub>"

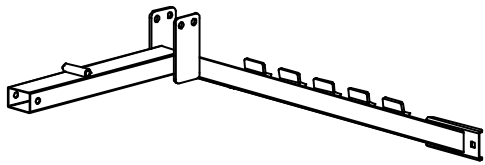
101   × 2 M10 104  | × 4 Φ<sup>3</sup>/<sub>4</sub>"



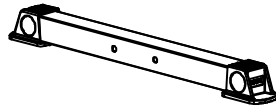




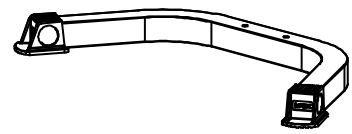




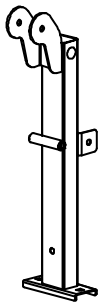
① × 1



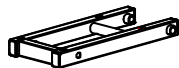
② × 1



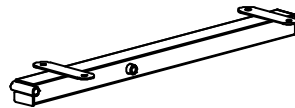
③ × 1



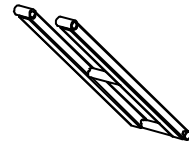
④ × 1



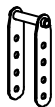
⑤ × 1



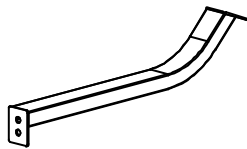
⑥ × 1



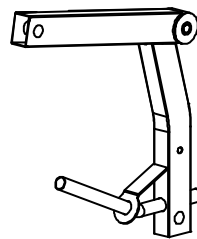
⑦ × 1



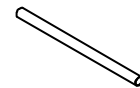
⑧ × 1



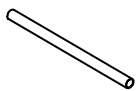
⑨ × 1



⑩ × 1



⑪ × 1



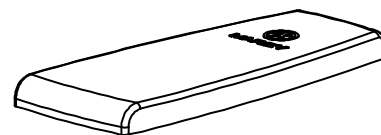
⑫ × 2



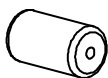
⑬ × 2



⑭ × 1



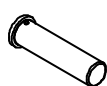
⑮ × 1



⑯ × 6



⑳ × 6



㉑ × 1



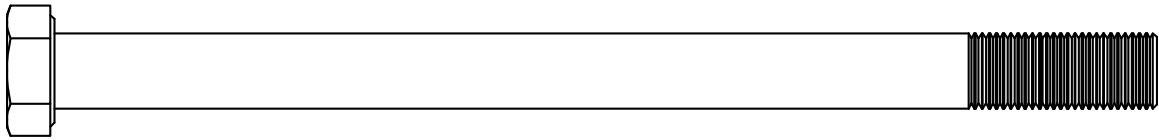
㉓ × 1



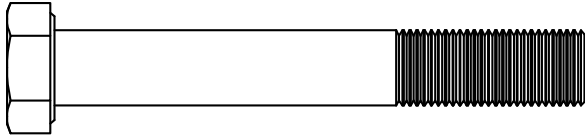
㉔ × 1



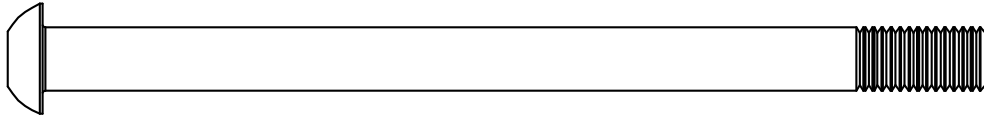
㉖ × 1



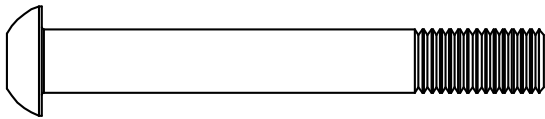
③② × 2



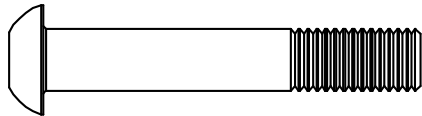
③③ × 1



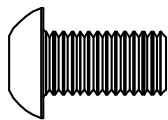
③④ × 1



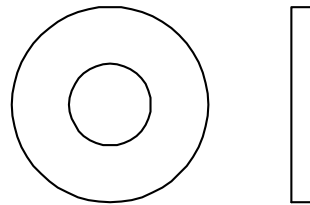
③⑤ × 1



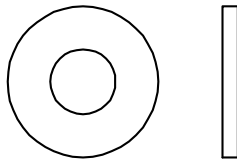
③⑥ × 2



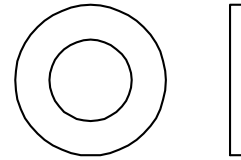
③⑦ × 2



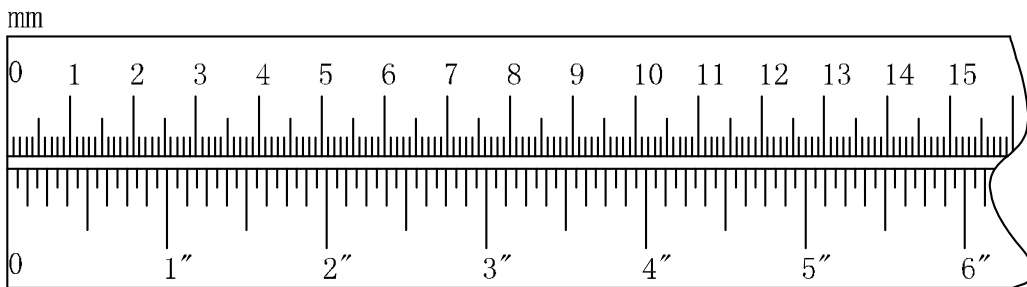
④② × 2

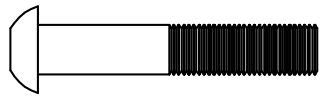


④③ × 1

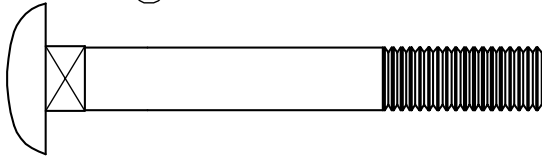


④④ × 6





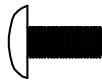
③⑧ × 4



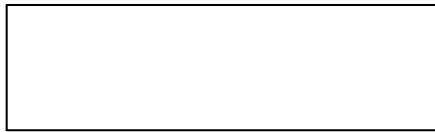
④⑩ × 4



③⑨ × 4



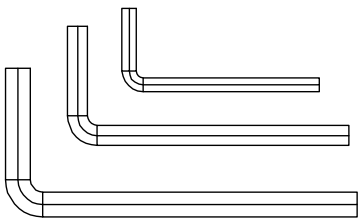
④① × 1



②⑦ × 1



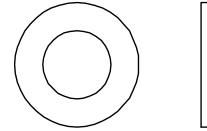
③⑩ × 1



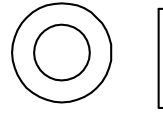
4#×1

5#×1

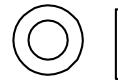
6#×2



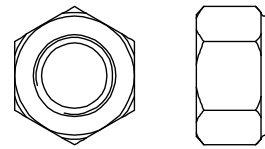
④⑤ × 12



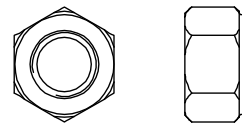
④⑥ × 8



④⑦ × 1

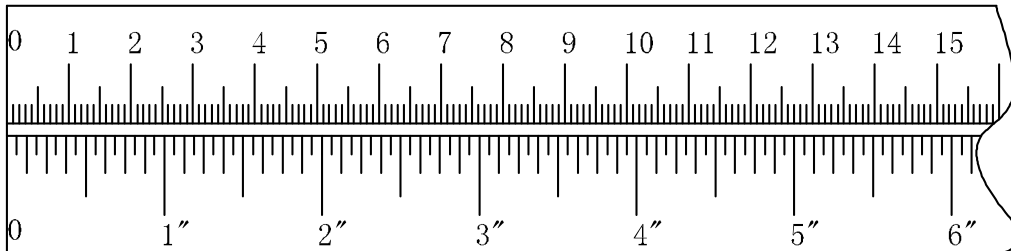


④⑧ × 2

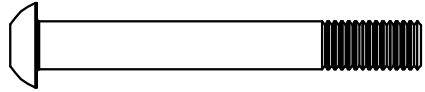


④⑨ × 8

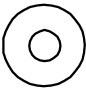



mm



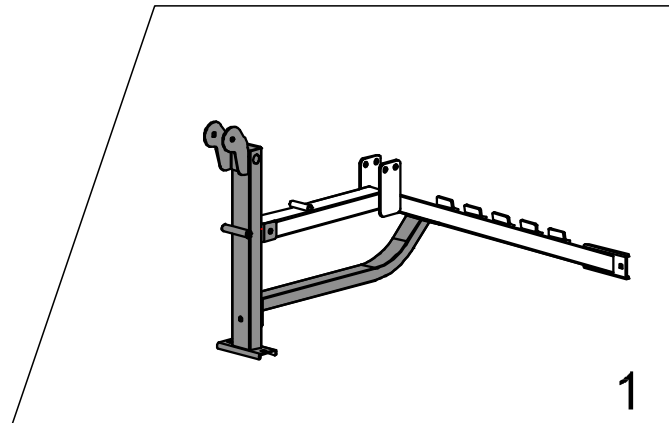
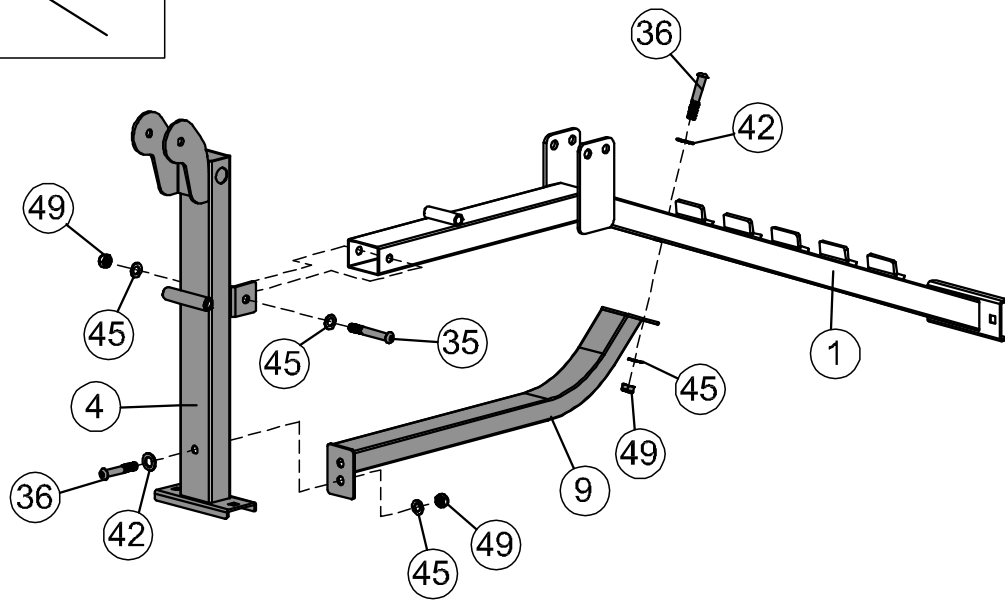
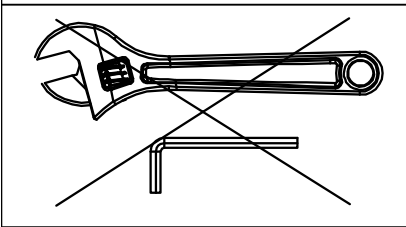


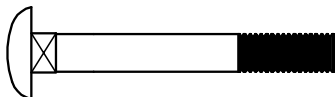


③⑤  × 1 M10×3<sup>1</sup>/<sub>8</sub>"

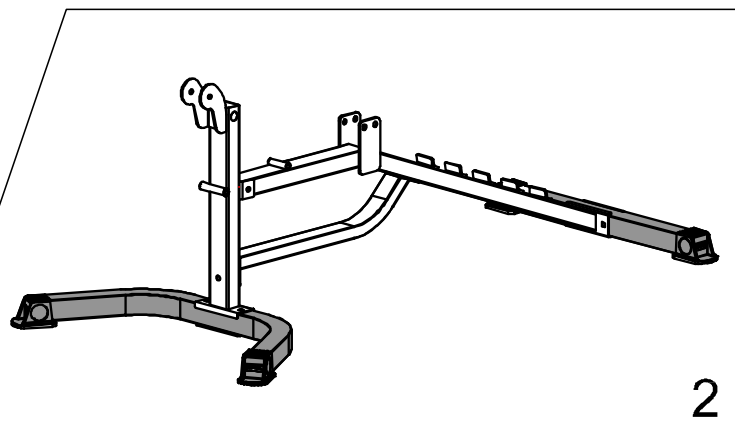
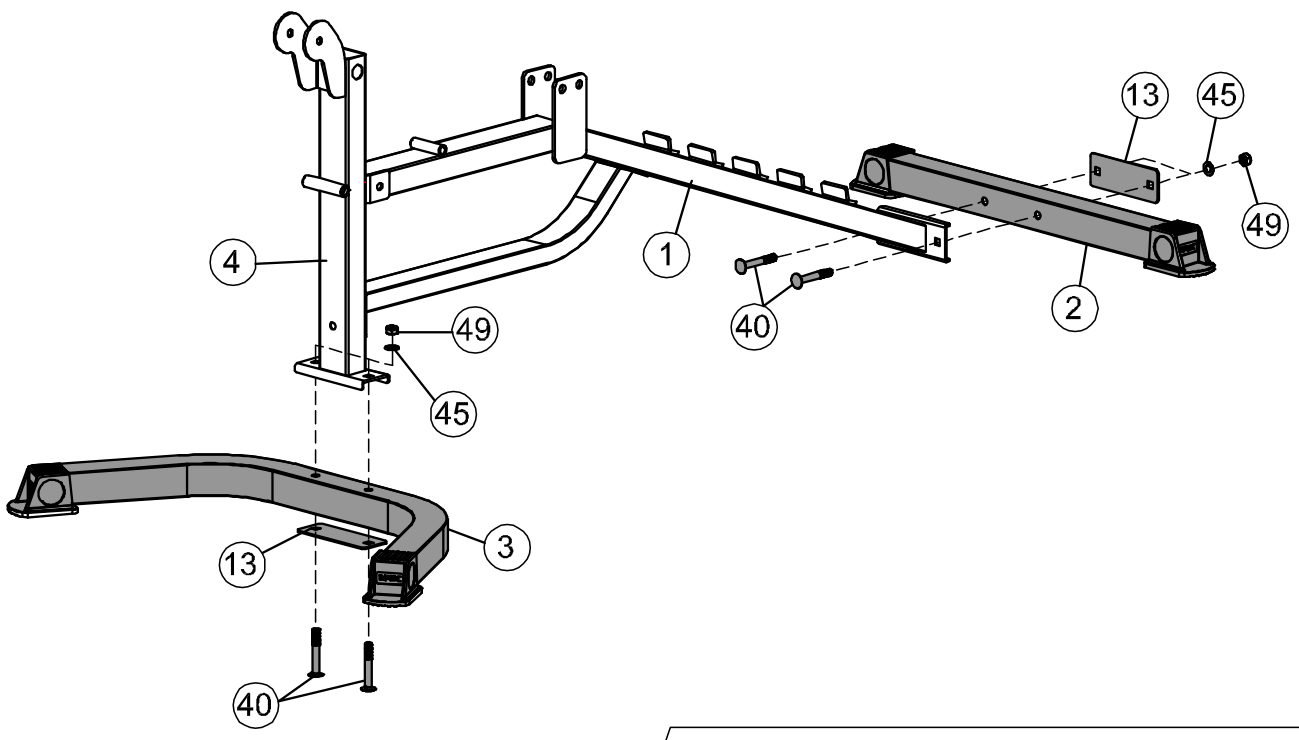
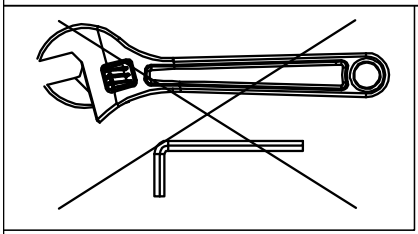
③⑥  × 2 M10×2<sup>3</sup>/<sub>8</sub>"

④②  |  × 2  $\Phi 1\frac{1}{8}$ " ④⑨   × 3 M10

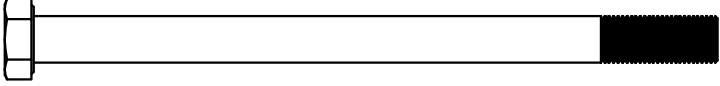
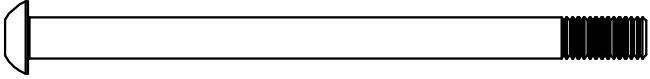




④⑤  |  × 4  $\Phi \frac{3}{4}$ "

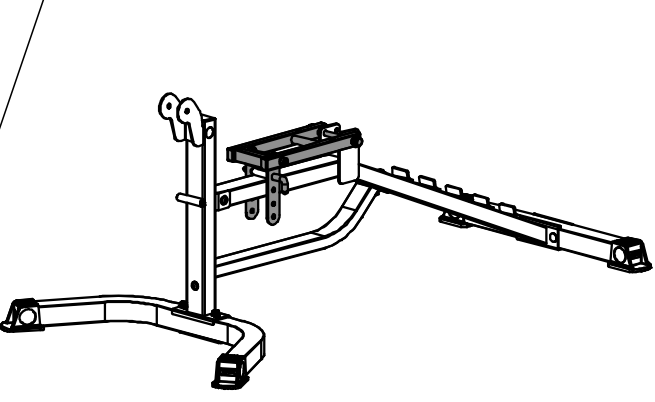
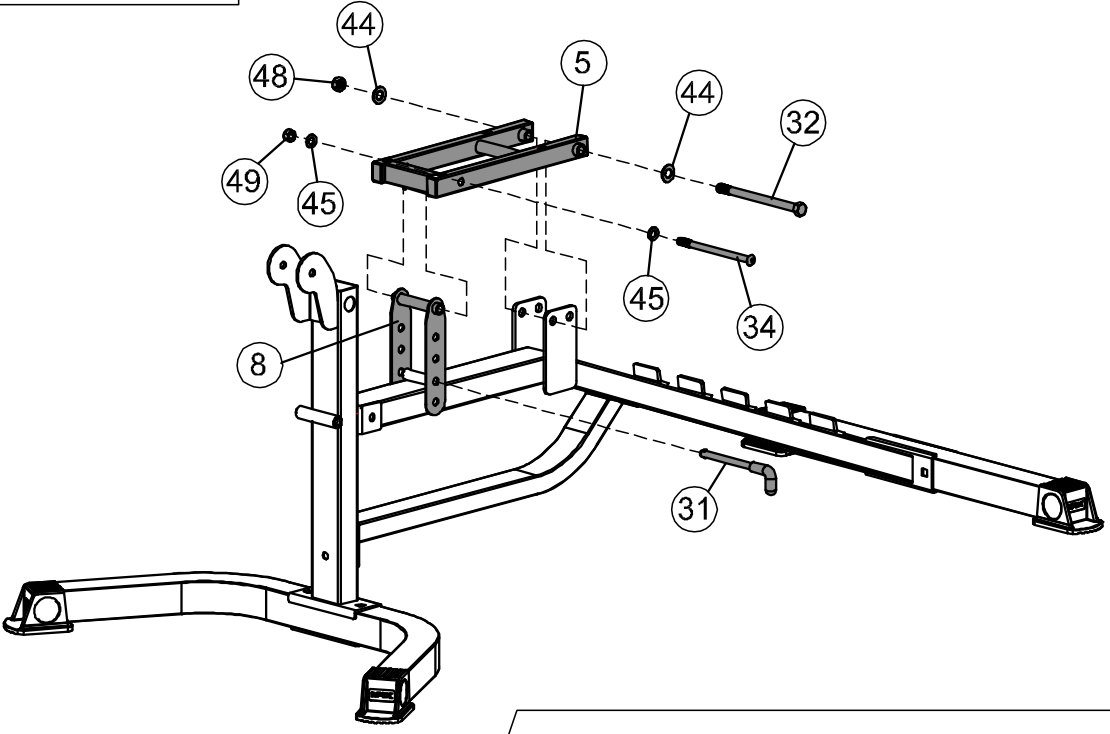
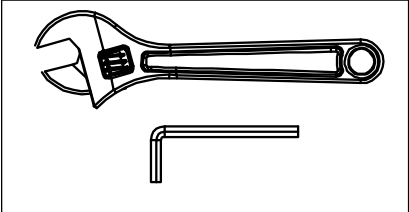


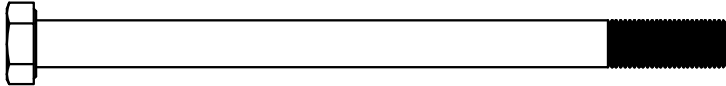
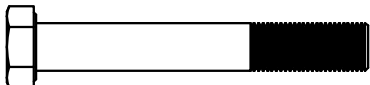




④0		× 4	M10×2 <sup>3</sup> / <sub>4</sub> "
④5		× 4	Φ <sup>3</sup> / <sub>4</sub> "
④9		× 4	M10

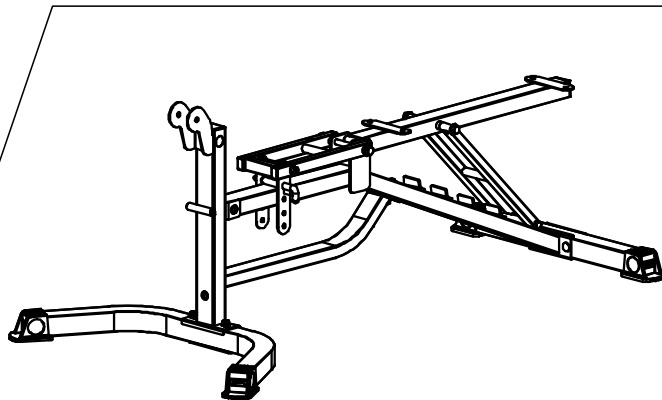
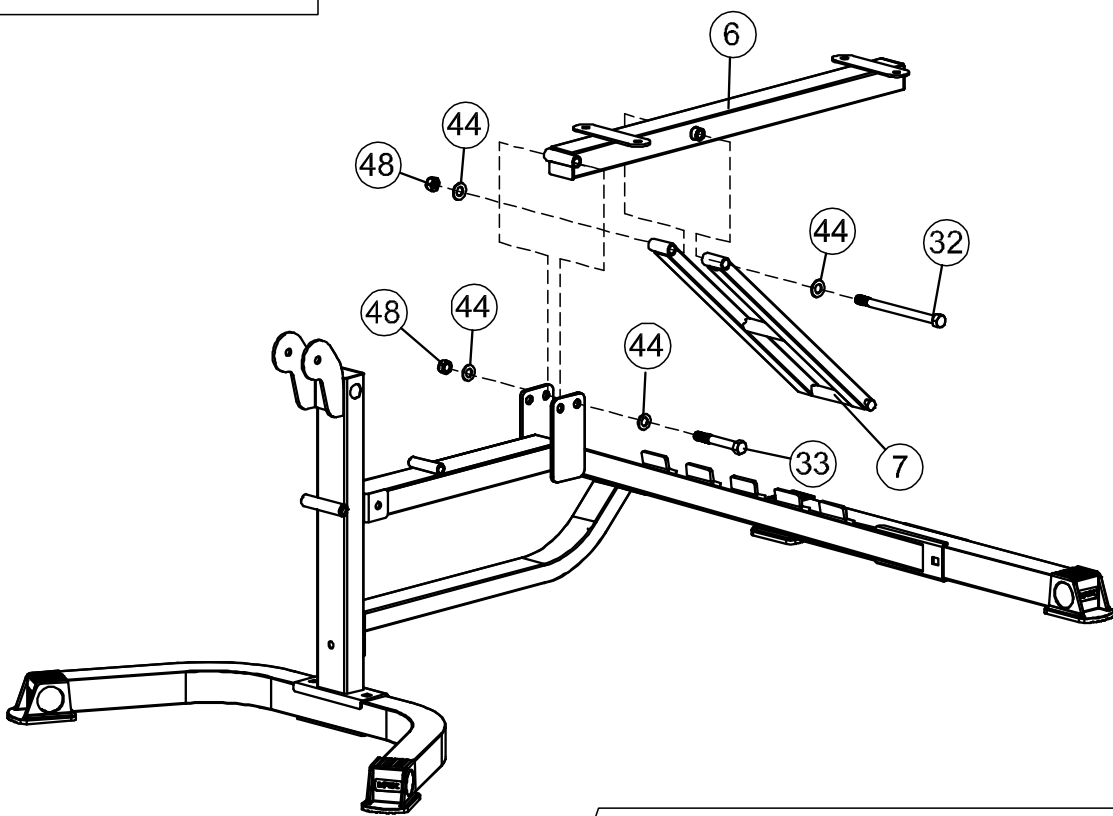
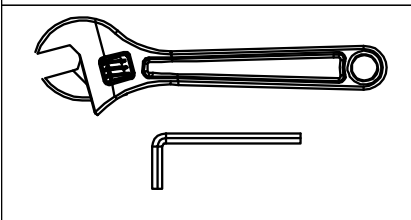



2

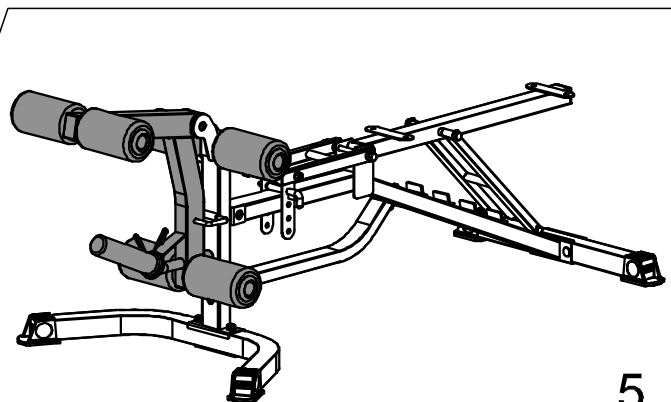
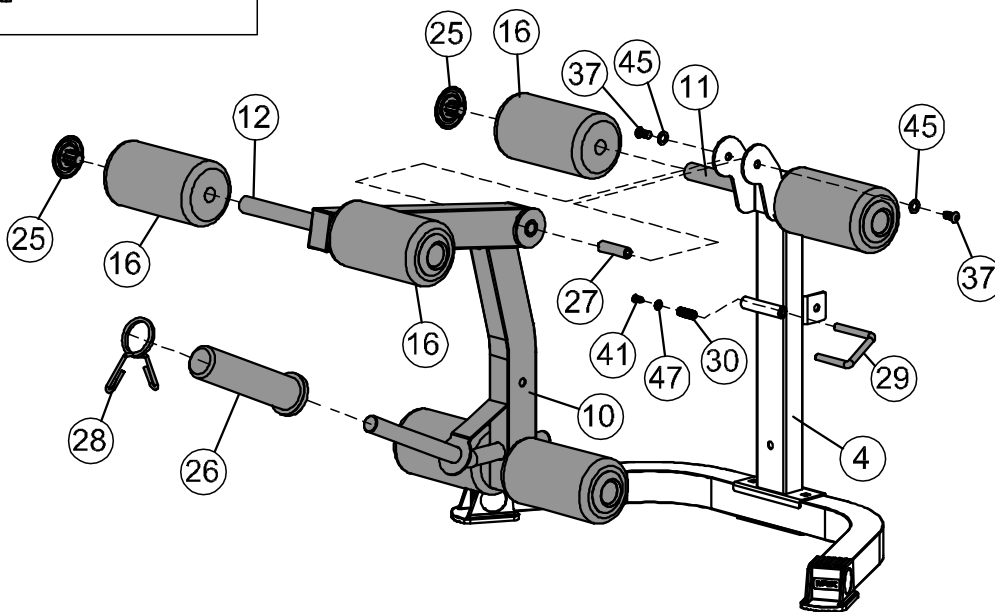
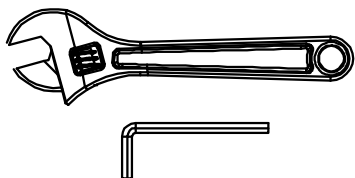
- ③②  × 1 M12×6<sup>2</sup>/<sub>3</sub>"
- ③④  × 1 M10×6"
- ④④  | × 2 Φ1"      ④⑧  × 1 M12
- ④⑤  | × 2 Φ<sup>3</sup>/<sub>4</sub>"      ④⑨  × 1 M10



- ③②  × 1 M12×6<sup>3</sup>/<sub>4</sub>"
- ③③  × 1 M12×3<sup>3</sup>/<sub>8</sub>"
- ④④  |  × 4 Φ1"      ④⑧   × 2 M12



(27)		× 1	$\Phi\frac{5}{8}'' \times 2\frac{1}{4}''$
(37)		× 2	M10× $\frac{3}{4}''$
(41)		× 1	M6× $\frac{5}{8}''$
(47)		× 1	$\Phi\frac{1}{2}''$
(45)		× 2	$\Phi\frac{3}{4}''$

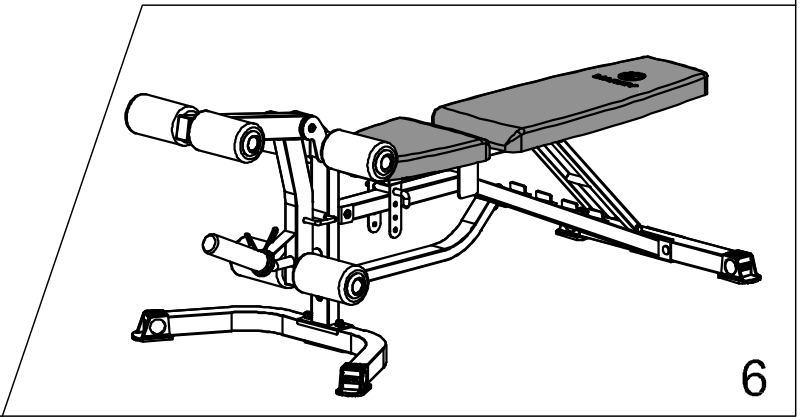
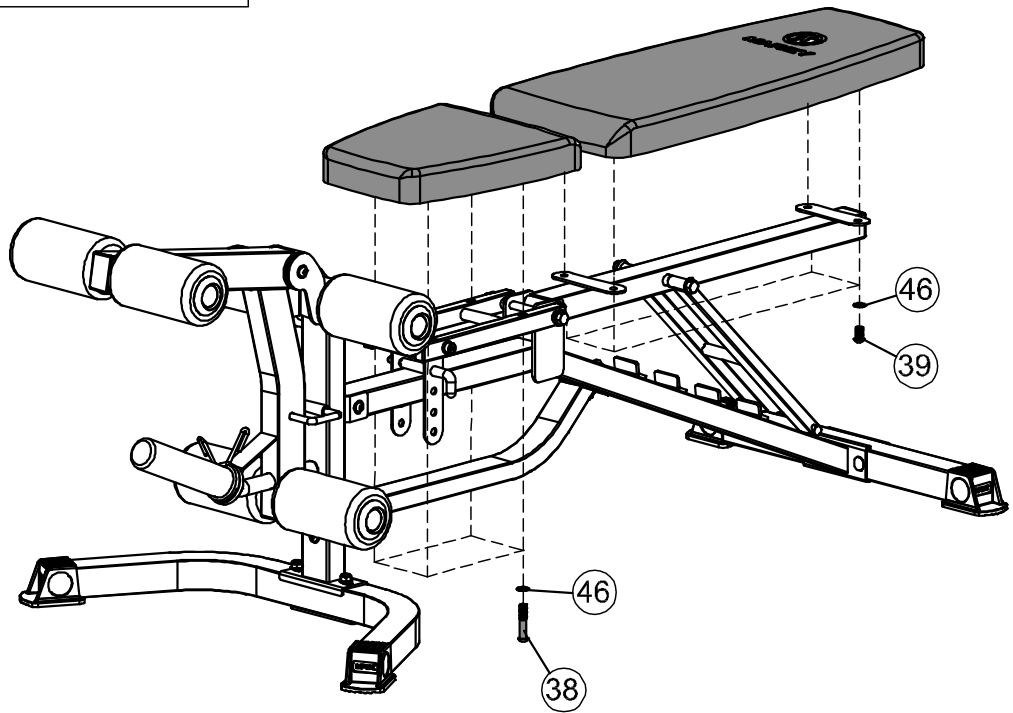
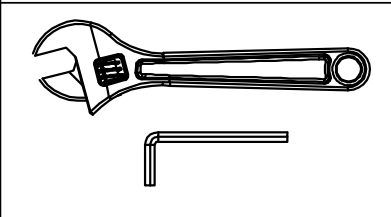


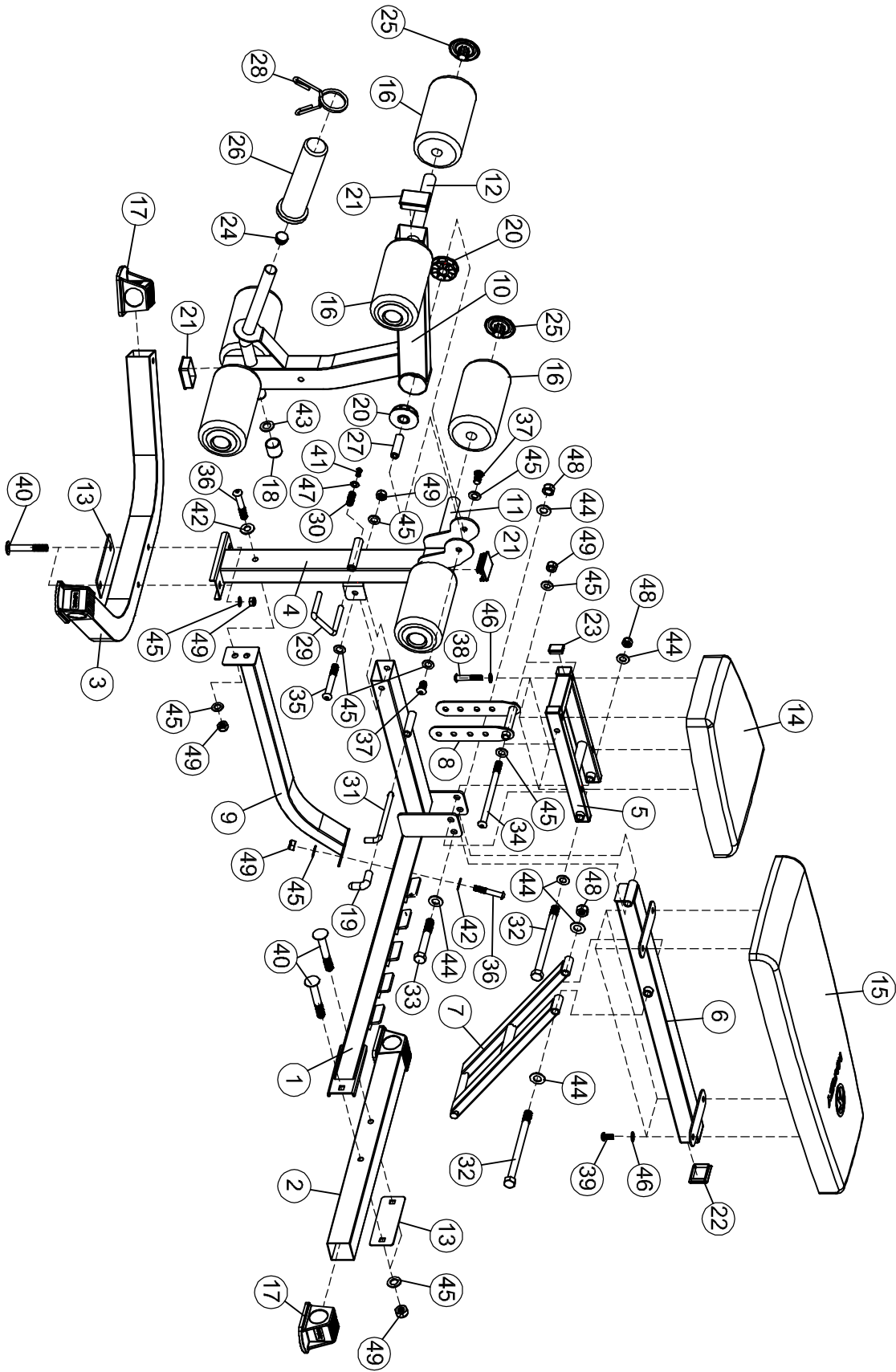
5

38  × 4 M8×1 $\frac{3}{4}$ "

39  × 4 M8× $\frac{3}{4}$ "

46   × 8  $\Phi\frac{5}{8}$ "





**IMPEX® INC.**

2801 S. Towne Ave. Pomona, CA 91766

Tel: (800) 999-8899

**[www.marcypro.com](http://www.marcypro.com)**

**[support@impex-fitness.com](mailto:support@impex-fitness.com)**